

(EN) Assembly instructions

(DE) Montageanleitung

(DA) Montagevejledning

(IT) Istruzioni di Montaggio

(FR) Notice de Montage

(SV) Monteringsanvisning

(SL) Navodila za Montažo

(NL) Montage Instructies



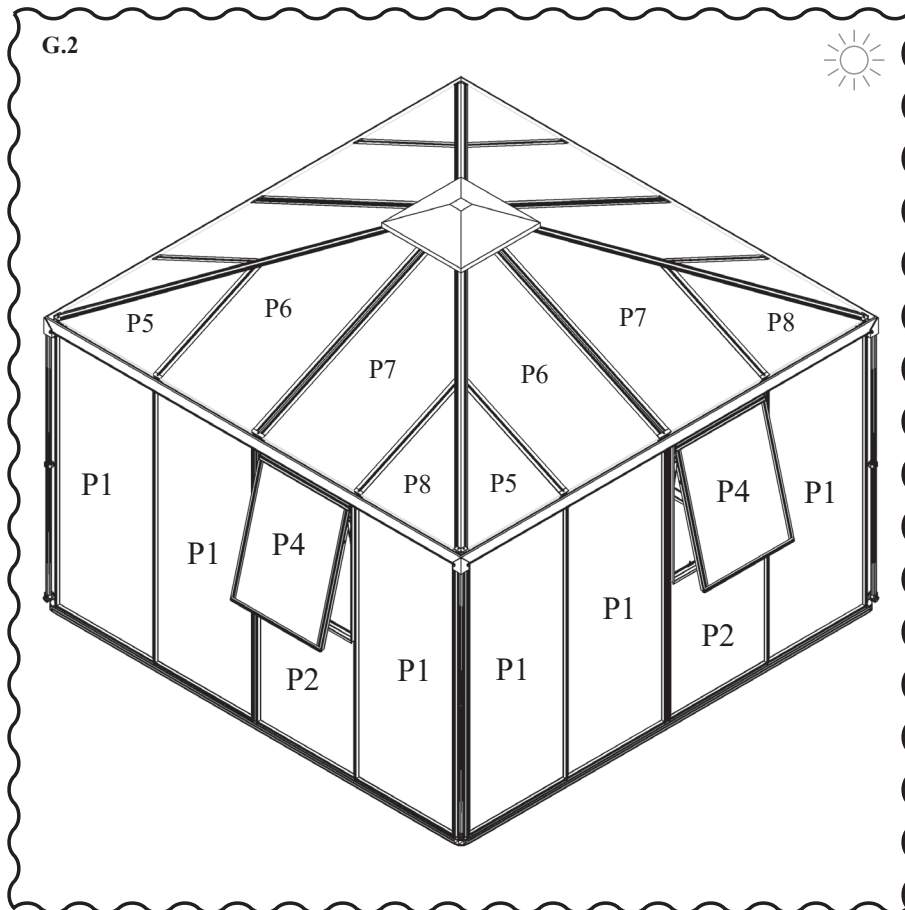
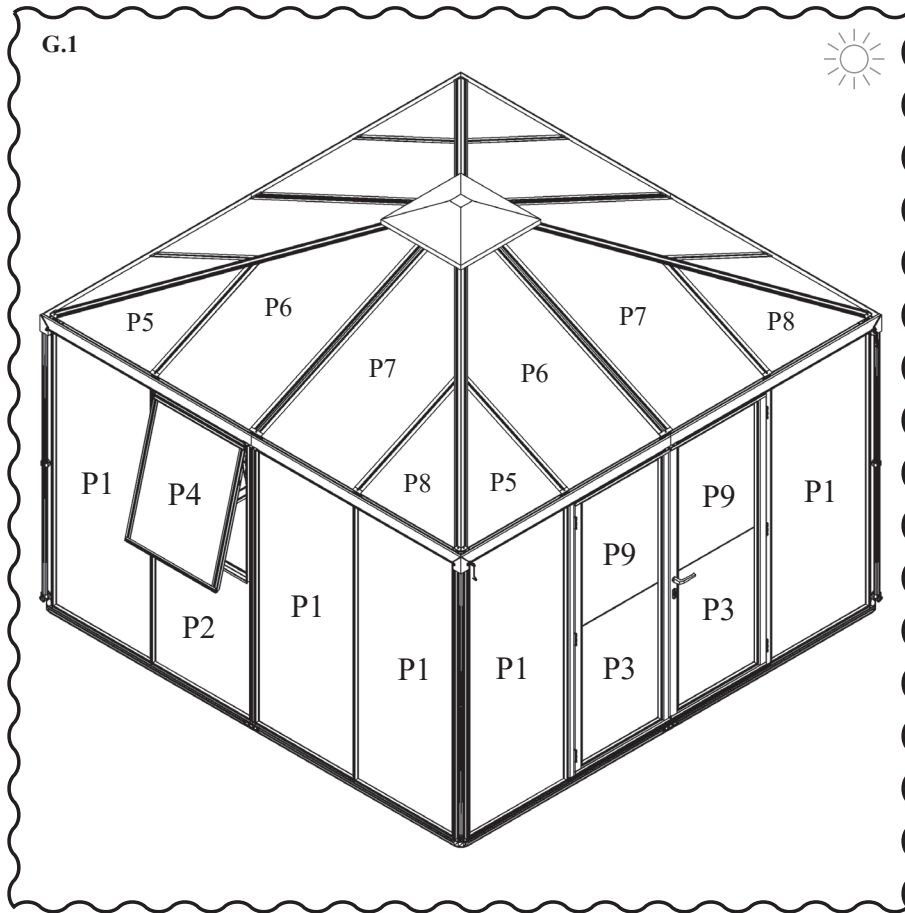
Vitavia
- makes living grow

VM0061-JR (ASP)
9800

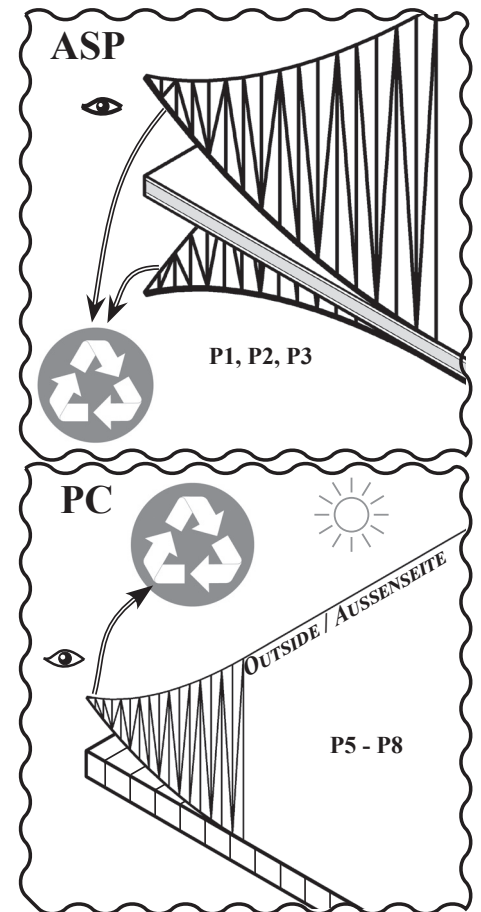
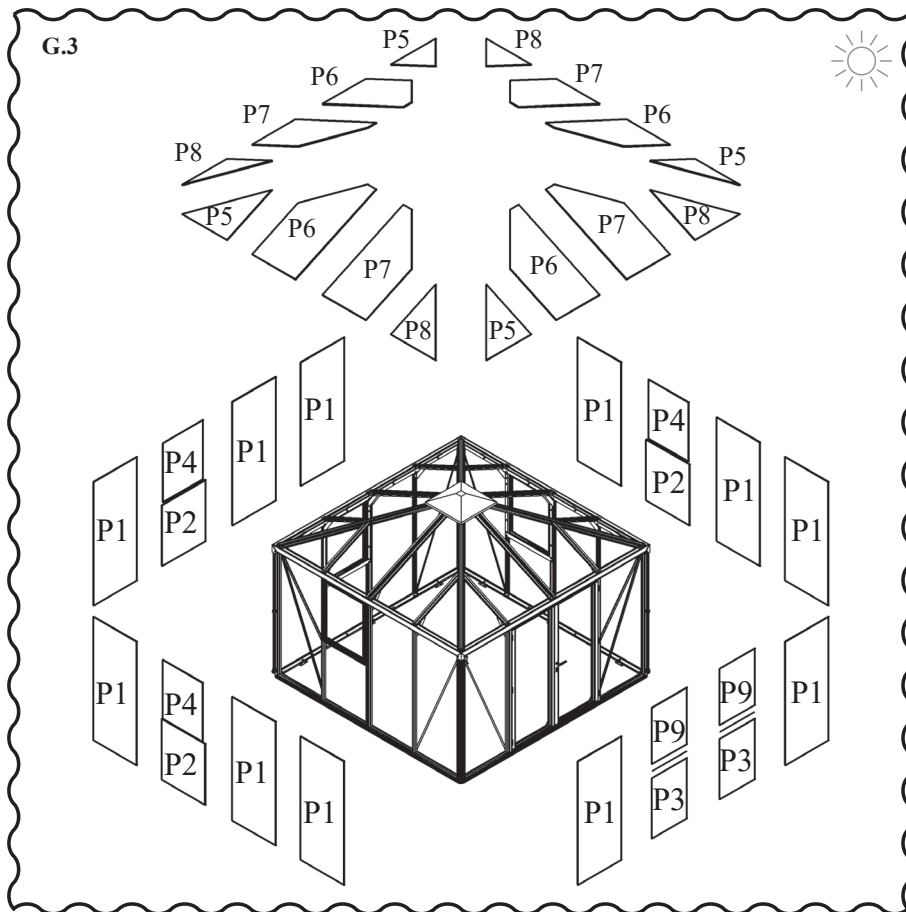


G ASP

GLAZING, VERGLASUNG, VITRAGE, BEGLAZING, GLAS / POLYCARBONATPLADER,
GLAS / POLYKARBONAT, VETRATURA, ZASTEKLITEV.



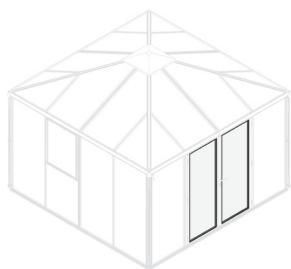
G ASP



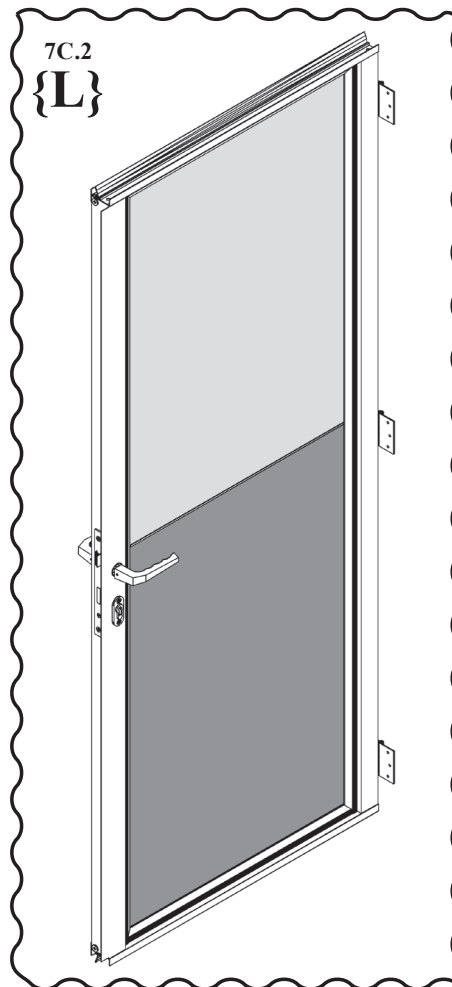
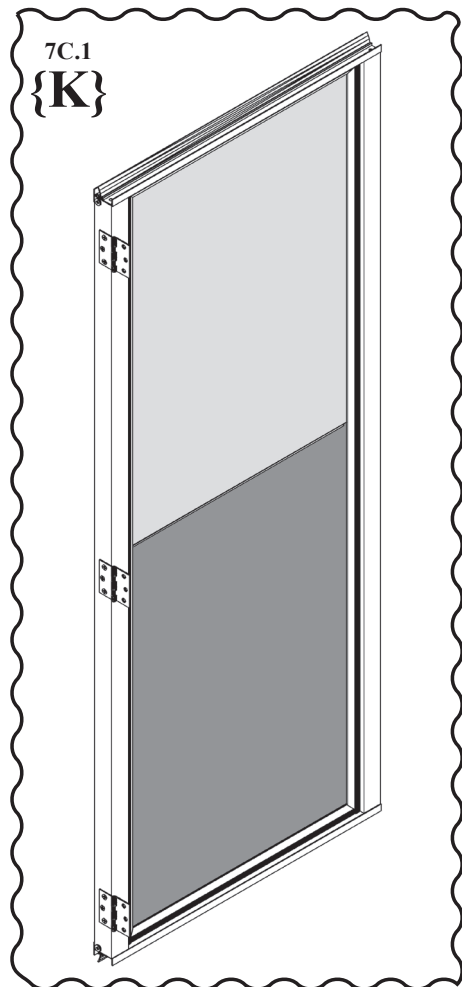
G	ASP / GLASS			PC		QUANTITY
	≤ 4 MM			10 MM		
	ASP ART. NO.	GLASS ART. NO.	MM	PC ART. NO.	MM (±3mm)	
P1	40006180		725 x 1790			11x
P2	40006181		725 x 883			3x
P3	40006182		586 x 875			2x
P4		40000752	668 x 854 x 4			3x
P5				40006193	747 ₀ x 0 ₈₂₆	4x
P6				40006195	725 ₁₄₂ x 845.5 ₁₄₉₀	4x
P7				40006196	725 ₁₄₂ x 1490 _{845.5}	4x
P8				40006194	747 ₀ x 826 ₀	4x
P9		40006183	586 x 818			2x
3525	-	-	569	-	-	2x
TOTAL						39x



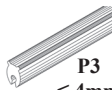



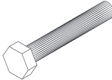

VM0061-JR

7C_2 {K}/{L} - JRM, JRS,

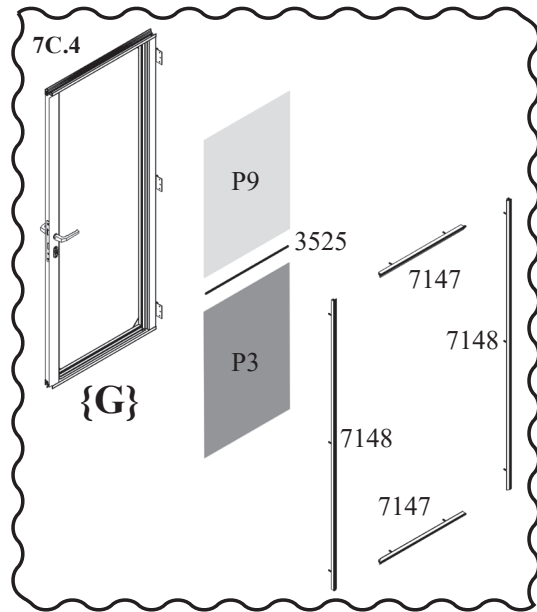
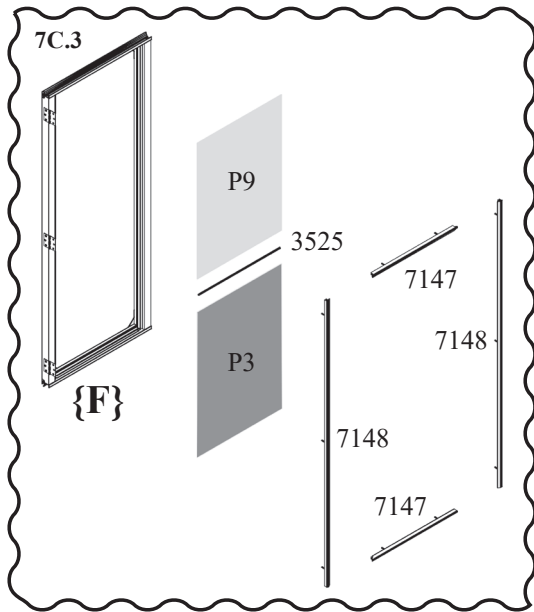


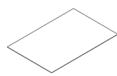

**GLAZING, VERGLASUNG, VITRAGE, BEGLAZING, GLAS / POLYCARBONATPLADER,
 GLAS / POLYKARBONAT, VETRATURA, ZASTEKLITEV.**

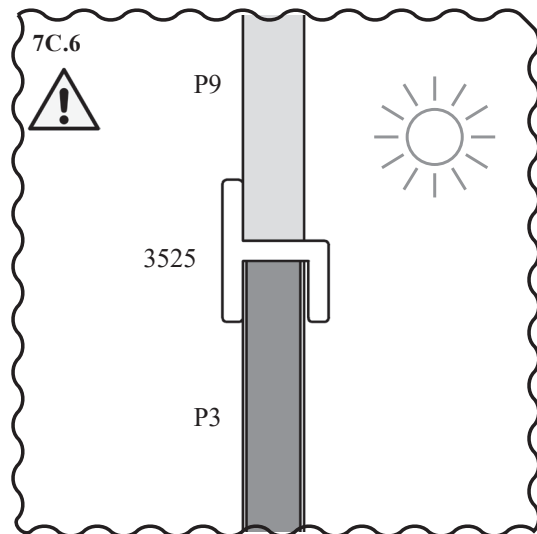
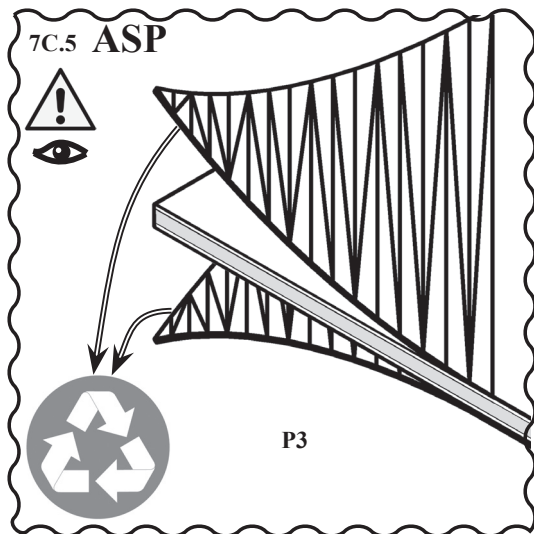


3525		ASP	7147 4x		JRM, P1 JRS, P1S
6090 1x		JRM, P1 JRS, P1S	7148 4x		JRM, P1 JRS, P1S
7053 20x		JRM, P1 JRS, P1S	{F} 1x		-
7058 20x		JRM, P1 JRS, P1S	{G} 1x		-

7C_2 {K}/{L} - JRM, JRS,



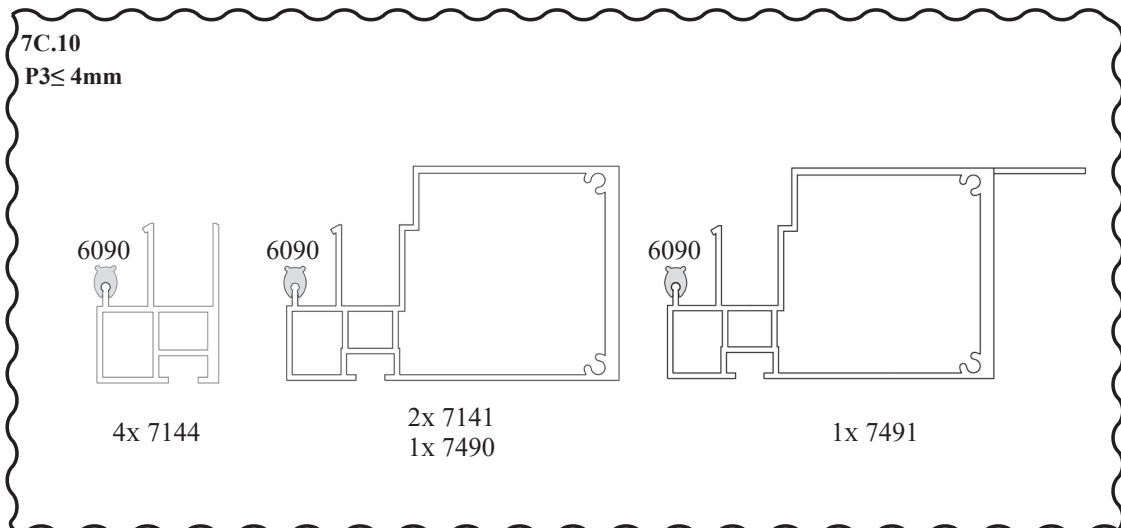
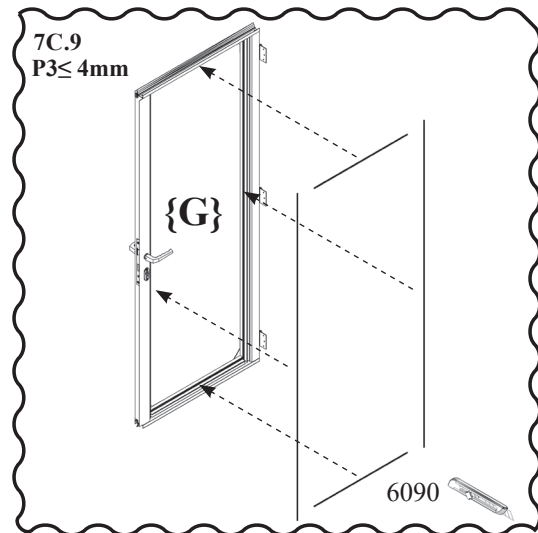
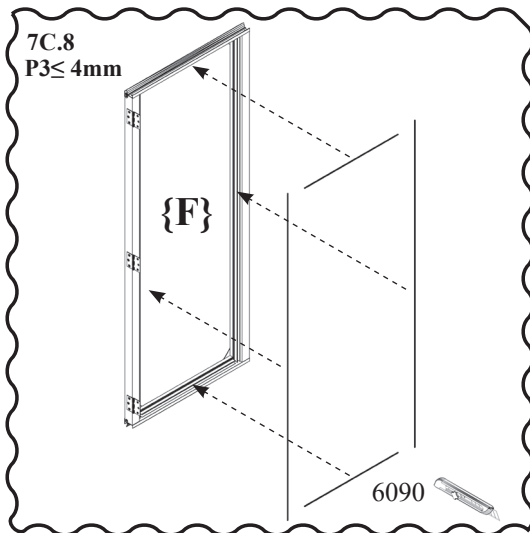
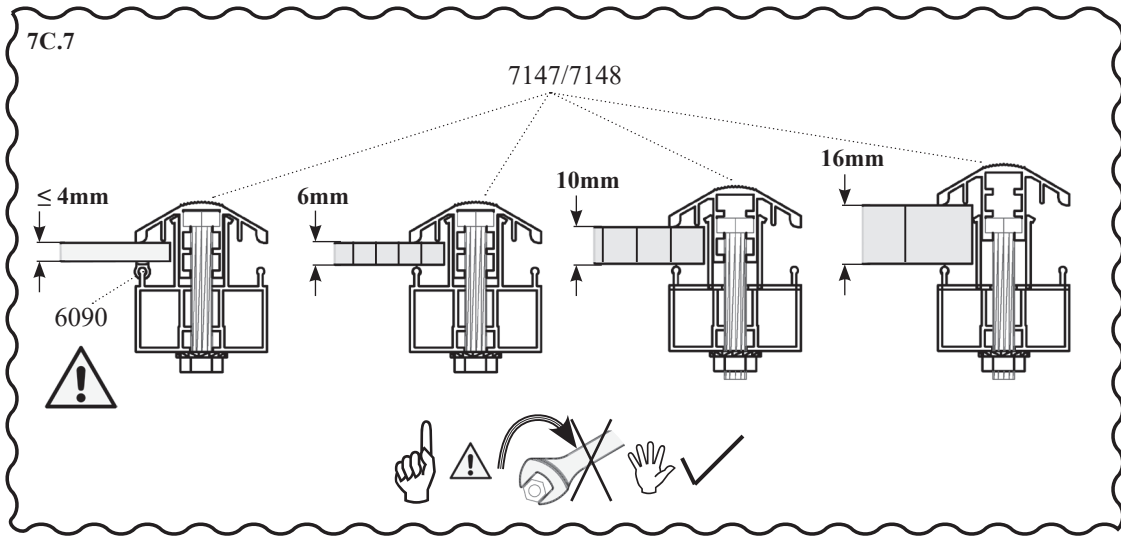
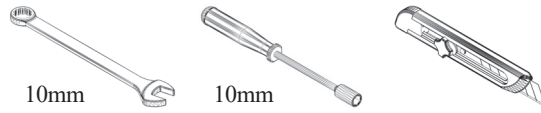
7C		ASP / GLASS		QUANTITY
		ART. NO.	MM	
P3		40006182	586 x 875	2x
P9		40006183	586 x 818	2x
TOTAL				4x



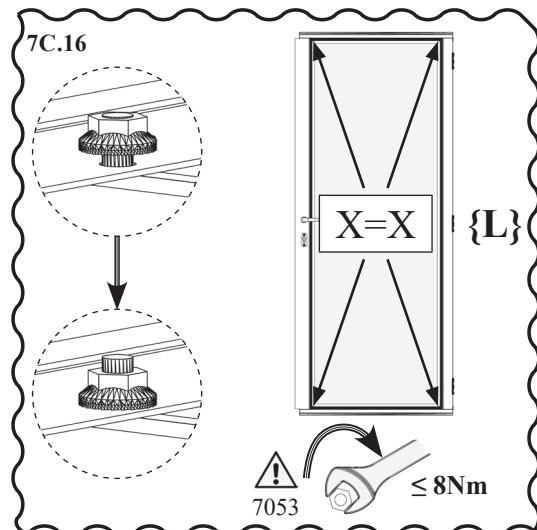
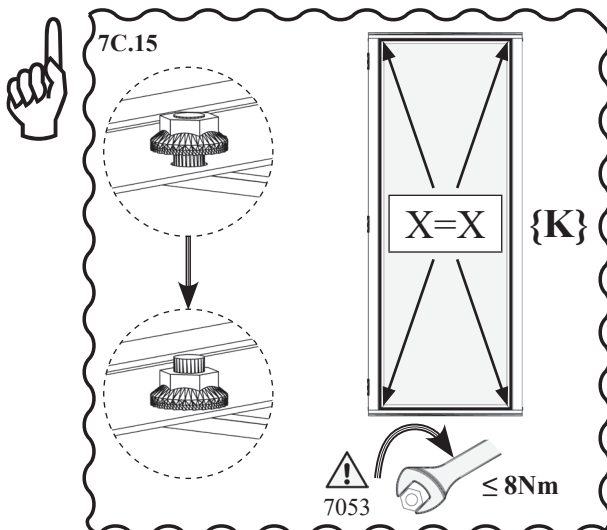
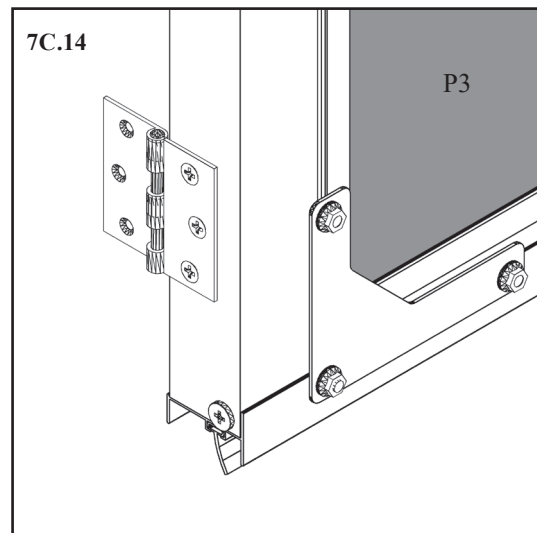
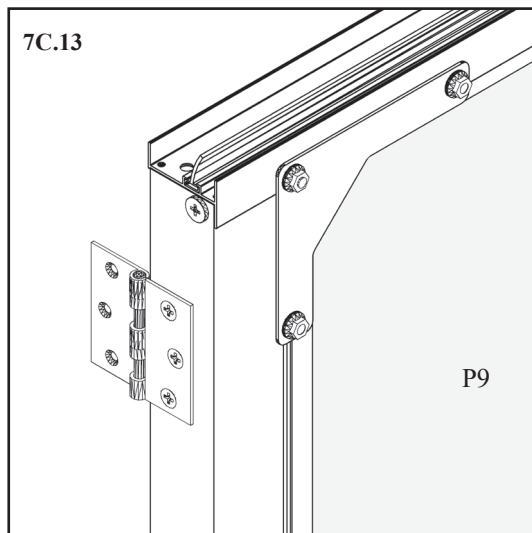
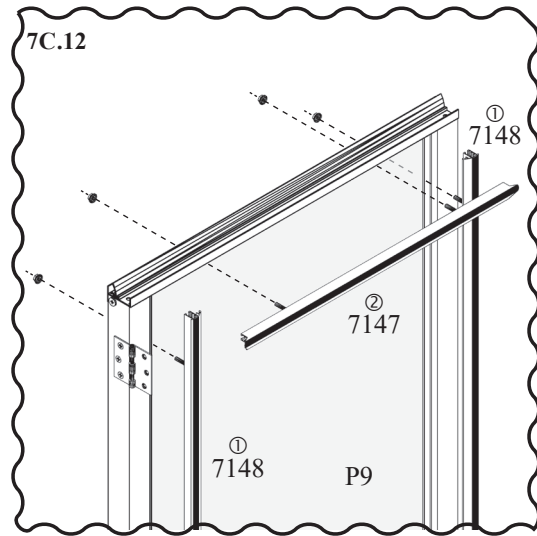
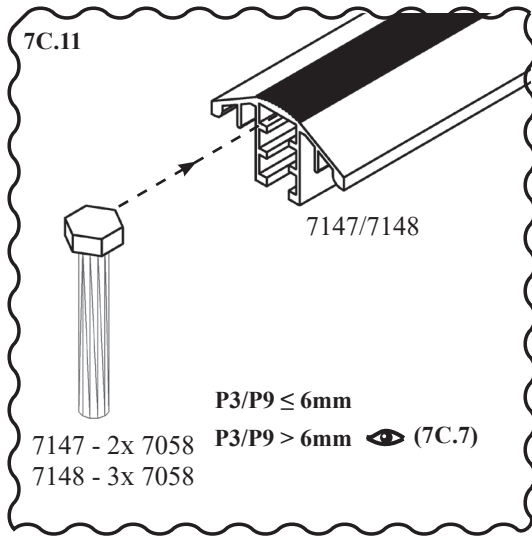
! Important! 👁️ Look closely ☀️ Outside ♻️ Recycle

VM0061-JR

7C{K}/{L} - JRM, JRS,



7C{K}/{L} - JRM, JRS,





E.P.H. Schmidt u. Co. GmbH
Hoefkerstrasse 30
44149 Dortmund
Postfach 170163
44060 Dortmund
Deutschland
Tel.: +49 231 941655 0
Fax: +49 231 941655 99
www.eph-schmidt.de
verkauf@eph-schmidt.de

OPJ A/S
Volderslevvej 36 A
5260 Odense S
Danmark
Tel.: +45 66 15 10 30
Fax: +45 66 15 00 84
www.opj.dk
opj@opj.dk