

(EN) **Assembly instructions**

(DE) **Montageanleitung**

(DA) **Montagevejledning**

(IT) **Istruzioni di Montaggio**

(FR) **Notice de Montage**

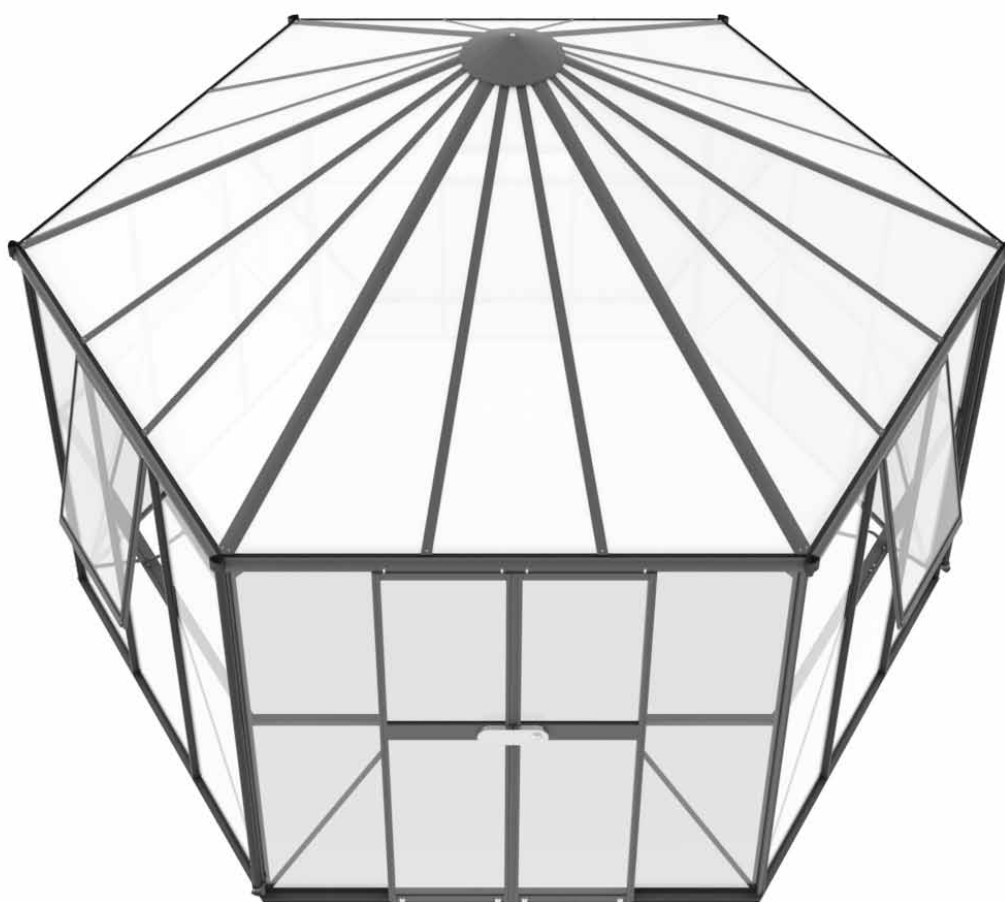
(SV) **Monteringsanvisning**

(PL) **Instrukcja Montażu**

(NL) **Montage Instructies**

(FI) **Kokoonpano-ohjeet**

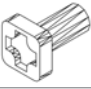

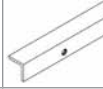




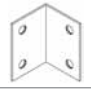


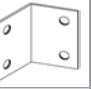
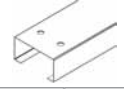
(SL) **Navodila za Montažo**



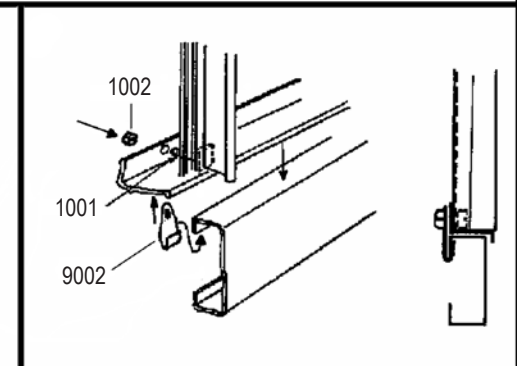
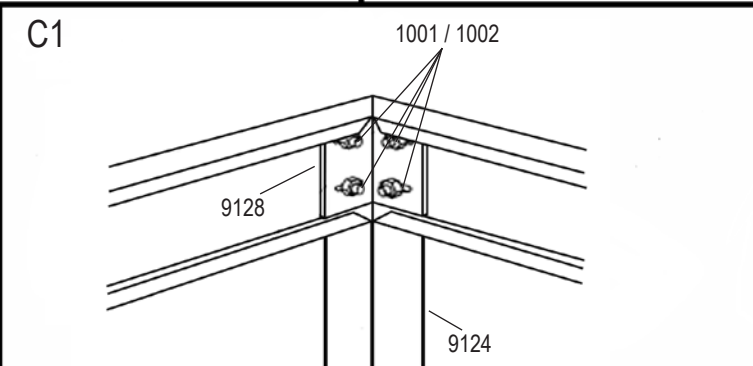
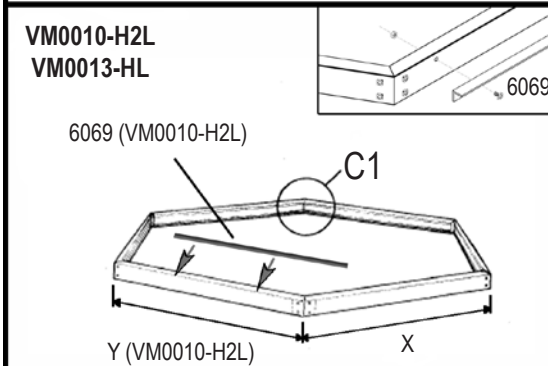
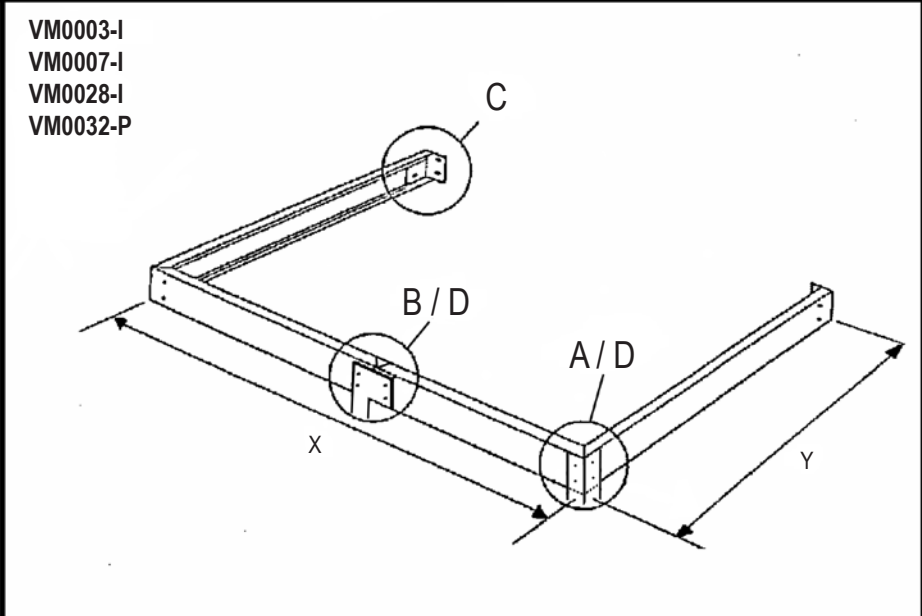
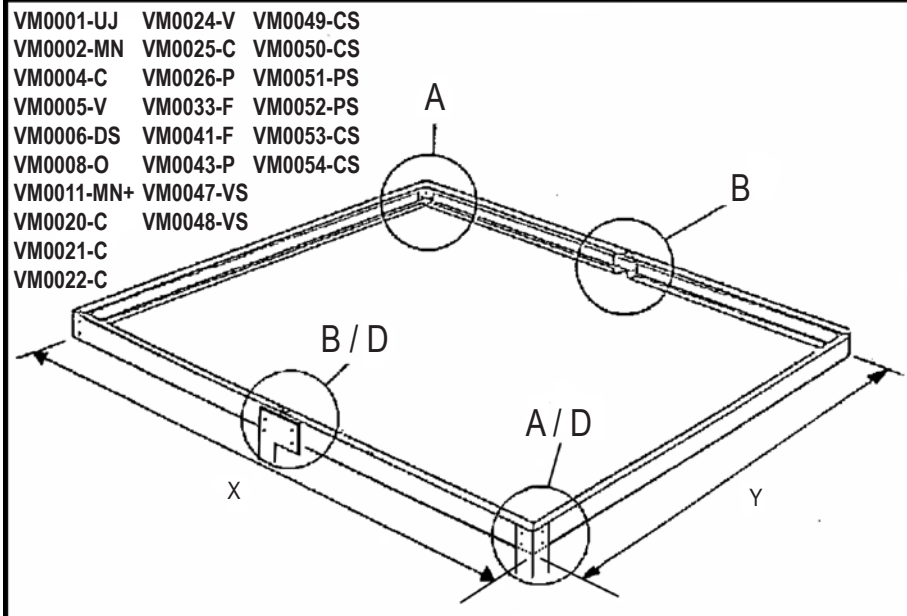
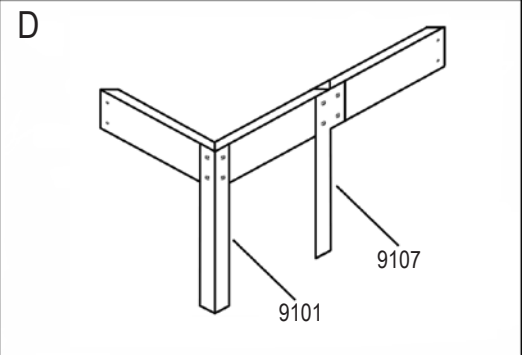
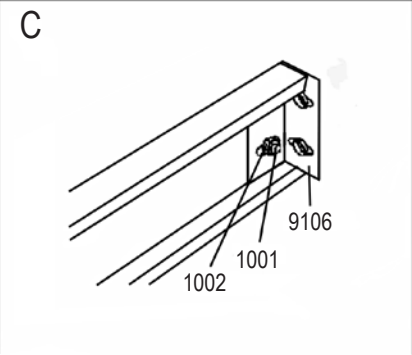
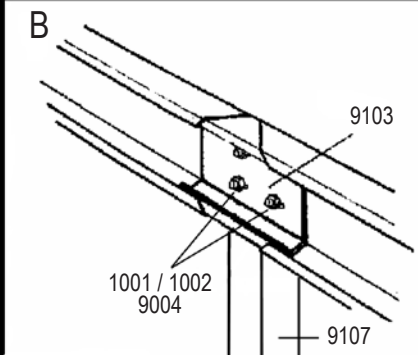
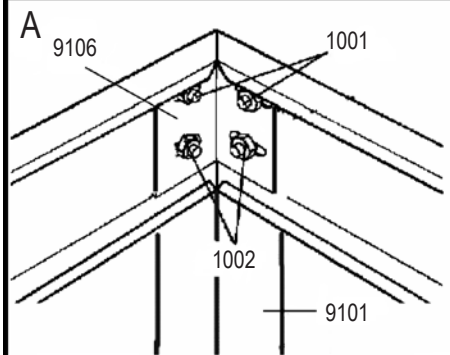
Vitavía
- makes living grow

VM0010-H2L
9000

MONTAGEANLEITUNG Fundamentsrahmen - Hera 9000 = VM0010-H2L

MODEL Modell Modèle	SIDE X Seite X Côté X				SIDE Y Seite Y Côté Y				FITTINGS Kleinteile Petites Pièces										
	No.X1	No.X2	X1mm	X2mm	No.Y1	No.Y2	Y1mm	Y2mm											
60 x 30 mm																			
900	1x 9113	-	1300		2x 9111	-	653		12x	12x	-	7x	-	2x	-	4x	-	-	-
1300	1x 9114	-	1922		2x 9111	-	653		12x	12x	-	8x	-	2x	-	4x	-	-	-
1800	2x 9113	-	1300		2x 9113	-	1300		16x	16x	-	12x	-	4x	-	4x	-	-	-
2500	2x 9113	-	1300		2x 9114	-	1922		16x	16x	-	14x	-	4x	-	4x	-	-	-
3000	2x 9115	-	1540		2x 9114	-	1922		16x	16x	-	14x	-	4x	-	4x	-	-	-
3300	1x 9147	1x 9147	1272	1272	2x 9117	-	1279		16x	16x	-	11x	4x	2x	1x	4x	1x	-	-
3800	2x 9114	-	1922		2x 9114	-	1922		16x	16x	-	16x	-	4x	-	4x	-	-	-
4400	2x 9148	2x 9148	1141	1141	2x 9114	-	1922		24x	24x	-	16x	8x	4x	2x	4x	2x	-	-
5000	2x 9147	2x 9147	1272	1272	2x 9114	-	1922		24x	24x	-	18x	8x	4x	2x	4x	2x	-	-
5000 DD	2x 9114	-	1922		2x 9147	2x 9147	1272	1272	24x	24x	-	18x	8x	4x	2x	4x	2x	-	-
5200	1x 9147	1x 9147	1272		2x 9141	-	1901		16x	16x	-	13x	4x	2x	1x	4x	1x	-	-
5800	2x 9119	2x 9119	1512	1512	2x 9114	-	1922		24x	24x	-	18x	8x	4x	2x	4x	2x	-	-
5900	2x 9147	2x 9147	1272	1272	2x 9114	-	1922		24x	24x	-	18x	8x	4x	2x	4x	2x	-	-
6200	2x 9120	2x 9120	1583	1583	2x 9114	-	1922		24x	24x	-	20x	8x	4x	2x	4x	2x	-	-
6500	2x 9120	-	1583		2x 9141	-	1901		16x	16x	-	14x	4x	2x	1x	4x	1x	-	-
6700	2x 9147	2x 9147	1272	1272	2x 9147	2x 9147	1272	1272	32x	32x	-	20x	16x	4x	4x	4x	4x	-	-
7300	2x 9126	2x 9126	1883	1883	2x 9114	-	1922		24x	24x	-	20x	8x	4x	2x	4x	2x	-	-
7500	2x 9121	2x 9121	1894	1894	2x 9114	-	1922		24x	24x	-	22x	8x	4x	2x	4x	2x	-	-
7600	2x 9147	2x 9147	1272	1272	2x 9147	2x 9147	1272	1272	32x	32x	-	20x	16x	4x	4x	4x	4x	-	-
7800	2x 9121	-	1894		2x 9141	-	1901		16x	16x	-	15x	4x	2x	1x	4x	1x	-	-
8300	2x 9120	2x 9120	1583	1583	2x 9147	2x 9147	1272	1272	32x	32x	-	22x	16x	4x	4x	4x	4x	-	-
9900	2x 9121	2x 9121	1894	1894	2x 9147	2x 9147	1272	1272	32x	32x	-	24x	16x	4x	4x	4x	4x	-	-
11500	3x 9149	3x 9149	1470	1470	2x 9147	2x 9147	1272	1272	40x	40x	-	26x	24x	4x	6x	4x	6x	-	-
VM0010-H2L	5x 9125	-	1884		1x 9127	-	1884		28x	28x	1x	24x	-	-	-	-	-	6x	6x
VM0013-HL	6x 9123	-	1264		-	-			24x	24x	-	18x	-	-	-	-	-	6x	6x

VB-B60S



EN: The site must be level and very firm. Each side and corner of the base needs to be securely anchored to the ground. If the site is paved, drill through the base into the paving and fix with screws and plugs (not supplied). On soil, ensure ground is well compacted and set the anchors (9101, 9107 & 9124) into pockets of concrete. Use clips (9002) to connect the corners, sides and ends of the Greenhouse with the base. On very exposed sites, drill sills and steel base, avoiding polycarbonate / glass, and secure with nuts and bolts (not supplied).

DE: Der Untergrund muß eben und fest sein. Alle Seitenteile und die Ecken müssen fest mit dem Untergrund verankert sein. Ist der Untergrund befestigt, dann bohren Sie durch das Fundament in den befestigten Untergrund, setzen Dübel in den Untergrund und verschrauben Fundament und Untergrund miteinander. Schrauben und Dübel werden nicht mitgeliefert. Bei gewachsenem Boden achten Sie bitte darauf, daß der Untergrund sehr fest ist. Setzen Sie die Bodenanker (9101, 9107 & 9124) in Betontaschen. Verbinden Sie die Alu-Verglasungstreben und das Fundament mit den Fundamentklammern (9002). Falls das Gewächshaus an einer sehr windigen und ungeschützten Stelle aufgebaut werden muß, dann durchbohren Sie die Grundprofile und das Stahlfundament und verschrauben Sie beides mit Schrauben und Muttern miteinander. Diese Schrauben und Muttern werden nicht mitgeliefert.

FR: Le site choisi doit être de NIVEAU et FERME. Chaque coté et chaque coin de votre base doit être fixé au sol. Si le site choisi est dur, percer le bas de la base et le ciment (ou autre) et fixée la avec vis et chevilles (non fournies). Si vous la positionnez sur la terre, compacter celle-ci et utiliser les ancrés (9101, 9107 & 9124) dans des plots de béton. Utiliser le équerres (9002) sur les cotés et aux parties intermédiaires de la serre. En cas d'une exposition au vent très fort, percer le seuil de votre serre et le seuil de la base et relier ces deux éléments avec boulons et écrous (non fournis). Faites en sorte que le perçage ne gêne pas le positionnement des vitres.

NL: De ondergrond moet vlak en stevig zijn. Alle zijdelen en de hoeken moeten vast met de ondergrond zijn verankerd. Wanneer de ondergrond bevestigd is, boort u door het fundament in de bevestigde ondergrond, plaatst pluggen in de ondergrond en verschroeft fundament en ondergrond met elkaar. Schroeven en pluggen worden niet meegeleverd. Bij een natuurlijke bodem moet u erop letten, dat de ondergrond erg stevig is. Plaats de bodemankers (9101, 9107 en 9124) in betonbakken. Verbind de aluminium glasstutten en het fundament met de fundamenterklemmen (9002). Indien de kas op een zeer winderige en onbeschutte plaats moet worden opgebouwd, boort u door het basisprofiel en het stalen fundament en verschroeft u beiden met schroeven en moeren met elkaar. Deze schroeven en moeren worden niet meegeleverd.

DA: Grunden skal være plan og meget fast. Hvert hjørne af sokkelen skal forankres til jorden. Hvis grunden er brolagt, bor igennem bundprofilen ned i brobelægningen og fastgør med skruer og rawplugs (ej leveret). På jord skal man sørge for, at grunden er meget fast og sætte ankrene (9101, 9107 & 9124) ned i fordybningerne af cement. Brug clips (9002) i siden og enden af mellemliggende samlinger på drivhuset og på siden af hjørnesamlingerne. På meget udsatte steder anbefaler vi, at man borer hul i bundskinnen og stålsokkelen, og fastgør med bolte og møtrikker (ej medleveret).

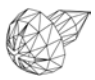

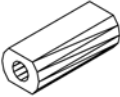
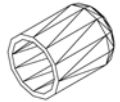

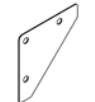


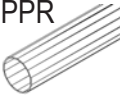
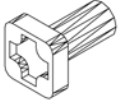

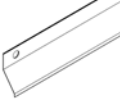

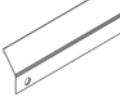
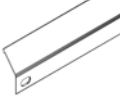

SV: Uppställningsplatsen måste vara i våg och hårt packad. Varje sida och hörnen på fundamentet måste förankras i marken. Om grunden är murad eller gjuten, borra genom bottenprofilen ner i grunden och fäst med skruv och pluggar (ingår ej). På mark gjutes plintar där ankarna (9101, 9107 & 9124) gjutes in. Använd clipsen (9002) att fästa växthuset på sidorna, vid hörnen och vid skarvarna. På utsatta ställen rekommenderas att borra hål genom växthusets bottenprofil genom fundamentet och skruva ihop med bult och muter (ingår ej).

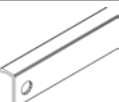
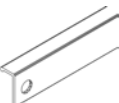







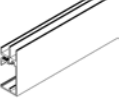

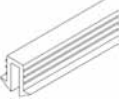




NO: Området hvor veksthuset skal settes opp må være i vater samt at underlaget skal være fast. Sidene og hjørnene på stålsokkelen skal festes til grunnen med jordspyed. Dersom underlaget består av heller, leca eller impregnert plank må du bore hull i sokkelen og inn i underlaget, for deretter å feste med skruer og plugger. Dersom du setter stålsokkelen direkte på bakken må du forsikre deg om at underlaget er kompakt. Jordspydene (9101, 9107 & 9124) støpes inn i betong. Benytt klips (9002) på sidene ved skjøtene og ved hjørnene for å feste veksthuset til sokkelen. Dersom veksthuset settes opp på et væghardt sted anbefaler vi å bore hull i svelle på veksthuset og i sokkelen for deretter å sikre det med skrue og mutter (medfølger ikke).




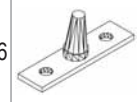
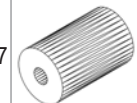
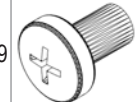


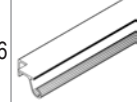







FI: Pohjan tulee olla tasainen ja tukva. Sokkelin jokainen sivu ja kulma pitää kiinnittää pitävästi alustaansa. Jos pystytyspaikka on päällystetty, poraa sokkelin läpi kiinnitysreiät, ja kiinnitä se ruuvein ja nyolontulpin (ei mukana). Jos pystytyspaikkaa ei ole päällystetty, tamppaa maa tiiviiksi ja pystytä ankuri (9101, 9107 & 9124) kuopiin, jotka lopuksi täytetään sementillä. Käytä kiinnittimiä (9002) sivuilla, ja välilistojen liitoskohdissa ja jokaisen kulmaliitoksen sivuilla. Jos pystytyspaikka on kovin avoin ja tuulinen, poraa kiinnitysreiät ja kiinnitä sokkeli ja kynnykslistat toisiinsa pultein ja mutterein (ei mukana).



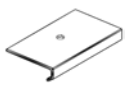
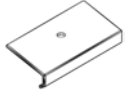



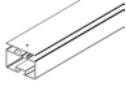

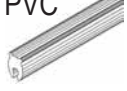






IT: Il terreno deve essere piano e solido. Tutti gli elementi laterali e gli angoli devono essere saldamente ancorati al suolo. Se il pavimento è fissato, praticare dei fori nelle fondamenta del suolo pavimentato, inserire dei tasselli nel pavimento e avvitare le fondamenta e il terreno. Le viti e i tasselli non sono inclusi nella fornitura. Assicurarsi nei pavimenti incerti che il suolo sia solido. Inserire i tiranti di ancoraggio (9101, 9107 e 9124) nelle tasche di cemento. Collegare le traverse in alluminio della vetratura e le fondamenta con le graffe (9002). Se la serra viene installata in un luogo molto ventoso e non protetto, si consiglia di perforare i profili di base e le fondamenta d'acciaio e avvitarli entrambi tra di loro per mezzo delle viti e dei dadi. Le viti e i dadi non sono inclusi nella fornitura.







PL: Podłoże musi być płaskie i twarde. Każdy bok i róg podstawy musi zostać bezpiecznie zakotwiony do ziemi. Jeśli podłoże to bruk należy przewiercić podstawę i bruk w celu przykręcenia jej za pomocą śrub i kołków (nie ma w zestawie). Upewnij się, że ziemia jest dobrze ubita i wprowadź kotwy (9101, 9107 & 9124) do kieszeni z betonem. Użyj zacisków (9002) żeby połączyć rogi, boki i końce szklarni z bazą. Na stronach bardzo odsłoniętych wydrąż dziury w progach i bazy, omijając poliwęglan / szkło i zabezpiecz za pomocą nakrętek i śrub. (nie ma w zestawie).

Item No.	Part	Sect. Ref.	Size mm	Quantity 9000
1006		8	3.5 x 6	3x
1008		6	3.5 x 19	12x
1010		4B	32	1x
1019		8	15	3x
1067		8	295	3x
1092		1-3	120	12x
1402		8	36	3x
1414		8	20	3x
1415	PPR 	8	1720	3x
3001		1-7	M6 x 12	212x
3002		1-7	M6	217x
6001		1	1887	5x
6002		2	1887	1x
6003		1	1849	5x
6004		2	484	2x
6005		2	1797	2x


Item No.	Part	Sect. Ref.	Size mm	Quantity 9000
6007		2	951	2x
6008		1	1151	10x
6013		1-2	1797	12x
6014		5L/R	458	2x
6017		5L/R	436	2x
6019		6	636	3x
6020		6	806	3x
6021		6	806	3x
6022		1-2	1797	6x
6024		6	600	3x
6025		6	600	3x
6034		6	3000	3x
6036		4B	Ø 380	1x
6038		4B	M6 x 79	1x
6039		5L/R	27	4x
6046		5L/R	M6 x 23	4x

Item No.	Part	Sect. Ref.	Size mm	Quantity 9000
6049		5R	Ø 32	4x
6051		5L/R	Ø 6.5/25	8x
6052		4B	M6 x 50	1x
6056		8	46	6x
6057		5L/R	16	4x
6059		4B	M6 x 10	1x
6061		4B	Ø 6/17	2x
6062		5L/R 8	3.9 x 9	22x
6066		6	610	3x
6067		3	81.2	6x
6068		7	3.5 x 13	18x
6070		8	Ø 13.5	190x
6072		1	1854	5x
6073		2	1854	1x
6074		7	1854	6x
6075		8	587	12x

Item No.	Part	Sect. Ref.	Size mm	Quantity
				9000
6076		8	521	6x
6077		7	39.1	6x
6078		7	39.4	6x
6079		7	39.4	6x
6085		5L	1777	1x
6086		5L/R	1777	3x
6087		4A	2019.5	6x
6088		4A	1737.5	12x
6089	 PVC	5L/R	8000	1x
6090	 PVC	7	67000	1x
6095		4A	346.41	1x
6097		4A	981	6x
6099		4B	344.1	1x
6100		8*	30	18x*
6140		5R	436	1x
6141		5L	436	1x

Item No.	Part	Sect. Ref.	Size mm	Quantity
				9000
6142		5L/R	M4 x 13	8x
6143		5L	60	1x
6144		4A	Ø 106	1x
7349		7 8	3.9 x 10	42x
7400		5L	123	1x
7401		5R	123	1x

* Included with Glazing

6500	 PC	5 7	1797	38x
------	--	--------	------	-----

Safety Warning

- PLEASE READ THESE INSTRUCTIONS CAREFULLY AND COMPLETELY BEFORE ASSEMBLING YOUR GREENHOUSE.**
- Sharp edges and corners can cause injury. Always wear protective glasses, gloves, shoes and headgear when handling the aluminium profiles, glass and polycarbonate sheets. Broken glass is a safety hazard – always clear up immediately and dispose of with care.
- The product you have purchased is intended only for growing plants and should only be used for this purpose. When used for other purposes we will take no responsibility.
- It is recommended that this greenhouse is assembled by two people.
- When using a step ladder one person should steady it at all times whilst the other works.
- Should you encounter difficulties constructing this house, or in fitting the glass or polycarbonate sheets, please contact your retailer – **do not use force!**
- The greenhouse must always be anchored.

Assembly Instructions

SITE SELECTION

Always try to select a sunny location, sheltered from the wind as much as possible.

IMPORTANT

Before assembling your new greenhouse, please check that all parts in the provided list are included. Please take each bundle out of the packaging in order to identify the parts better.

It is important that the opened bundles do not get mixed with one another.

If something is missing please contact your retailer.

NECESSARY TOOLS

Screw drivers (Normal and Crosshead PH2), 10mm and 17mm spanner or wrench, 10 mm combination spanner, 1.8m Step ladder, Craft knife, Measuring stick, Spirit level, Ø 20 drill, Accu-drill with adjustable torque.

MAINTENANCE

The greenhouse should be thoroughly washed with a gentle detergent occasionally. Please check that the detergent used does not react aggressively with aluminium or plastic.

Ensure that the door tracks are cleaned regularly to avoid a build-up of debris.

0. BASE

Important! The base must be level. A zinc-coated steel base is available as an accessory for all greenhouse models.

(Attention! Only when the greenhouse has to be located in a very windy and unprotected location: Drill through both the profile at the base of the greenhouse and the steel base, and connect them with nuts and bolts.)

If you would rather construct your own stone or concrete foundation, please follow the dimensions specified in diagram 0.

Treated wooden beams at least 18mm high and not more than 32mm wide should be positioned between the stone/concrete

foundation and the aluminium frame(A-A). On the side where the door will be located use a treated wooden beam not more than 52mm wide (B-B). Connect the wooden beams to the foundation with 50mm long bolts (not provided).

Foundations must extend down below the frost level.

Diagrams in a single frame show the view from inside the greenhouse. Those enclosed in a double frame show the view from outside the greenhouse.

1. SIDE ELEMENTS

Lay all of the parts on the floor and connect them loosely. (1.1) to (1.6)

Note: All bolt heads must slide into the bolt channels in each vertical bar.

Repeat for the other 4 plain sides.

2. SIDE ELEMENT - DOOR

Lay all of the parts on the floor and connect them loosely, (2.1) to (2.6).

3. CONNECTING THE SIDE ELEMENTS

Bolt the six side elements together using corner plates (1092), (3.1) to (3.3). Carefully insert the plastic eave ends (6067) into the eaves at each corner, (3.4) to (3.6).

Now position your frame on the prepared base / foundation and connect loosely. (Please only tighten these bolts after the building is glazed.) Adjust the frame until it is square and vertical and tighten the bolts connecting the sides.

Please do not over tighten.

4A. ROOF

Lay all roof bars (6087) on the ground and accurately mark them with a pencil as shown, (4.1). These marks are important to ensure the glazing panes fit later.

Connect the assembly help disc (6144) to the hexagonal cone (6095) using bolt (3001) and

nut (3002) (4.2).

Assemble roof bars (6087) onto cone (6095) (4.3) (4.4).

Note: the straight cut edge of (6087) should touch disc (6144) (4.3).

Tighten all bolts.

Connect ring beam (6097) with the joining point edge on the mark (1055 mm) (4.5) (4.6).

4B. ROOF

Two people should now lift the assembly onto the roof.

Connect roof bars (6087) onto each corner (4.7).

Using the step ladder connect roof middle bars (6088) to hexagonal cone (6095) (4.8), ring beam (6097) (4.9) and eave angle (6072) / (6073) (4.10). Tighten all bolts.

Assemble the outer cone (6036) with bolt (6052), washer (6061), spacer (1010) and nut (3002) and lift into place.

Note: bolt (3001) and nut (3002) connecting disc (6144) must be removed at this point.

Inside connect bolt extension (6038) to bolt (6052) and then connect cover (6099) to (6038) using washer (6061) and bolt (6059) (4.11).

5L & R. DOORS

Lay vertical door bars (6085) / (6086) on the ground and prepare 6 bolts (3001) in the bolt channels in each.

Press the glazing seals (6089) onto (6085) / (6086) (5.1) and cut to length.

Connect (6017) to bars (6085) / (6086) using the prepared end bolts (5.2).

Take care to line up the bottom edges of bars (6085) / (6086) with the groove in the face of bottom bar (6017) as shown. This will ensure that the correct overhang of the bottom bar is obtained.

Position the lower glass pane (B) and then middle bar (6140) or (6141) onto (6085) / (6086) (5.3) (5.4).

Assemble lock parts (6143), (7400) and (7401) using bolts (6142) onto middle bars (6140) or (6141) (5.3).

Finally position the upper glass pane (A) and connect (6014) using the last two prepared bolts (5.5).

Fix the glass on both sides with the plastic fixing strips (6500) (5.6).

Ensure that the door is totally square before tightening all bolts. This can be done by measuring the diagonals.

Connect the plastic door guides (6057) onto bar (6014) with screws (6062) (5.5).

Loosely connect the door wheels (6049) and door jump clips (6039) to bottom bar (6017) using bolt (6046), washers (6051) and nut (3002) (5.2). These should be tightened when the door is later fitted in the building.

Repeat for both doors and lay them aside for later use.

6. VENTS

The position of vents is determined by the location of the prepared holes in eave angle (6072).

Note: *Warm window seal (6034) to room temperature!* Press seal (6034) centrally onto the top edge of glass pane (C) (6.1). **Do not stretch.**

Make a cut into the seal at the corner (6.2) and then press the seal onto the side and bottom edges of pane (C), cutting to fit around each corner.

Fit vent bottom bar (6024) over the seal (6.3) and then side bars (6020) and (6021).

Connect these at the corners using screws (1008) (6.4).

Finish pressing the seal onto the top edge and cut to length in the middle. Fit the top vent bar (6025) and connect to side bars (6020) and (6021) with screws (1008) (6.5).

Ensure that the vent is totally square before tightening all screws.

Loosely connect bar (6066) using bolt (3001) onto eave angle (6072) using the prepared holes (6.6).

Remove side brace (6003) and diagonal brace (6008) to fit vent sill (6019) behind them (6.7).

Replace (6003) and then (6008), loosely connecting with nut (3002) (6.7) (6.8). Do not tighten until the roof vent is assembled in building.

Repeat for all vents and lay them aside for later use.

7. GLAZING

Please note the already mentioned safety precautions.

Ensure that the U/V protected face of all polycarbonate sheets is on the outside.

With one person using the step ladder inside the building, glaze the roof by sliding panes (D),(E) and (F) into the appropriate guides in the roof bars (6087) and (6088) (7.2) (7.3). When adjacent panes are in place connect ends (6077), (6078) or (6079) using screws (7349) (7.4) to prevent them sliding out of the guides.

Position door guide bar (6074) onto eave angle (6072) / (6073) and fix in place using 3 equally spaced screws (6068) (7.6) (7.7).

Press the glazing seals (6090) onto all side bars (6013) and (6022) (7.8) and cut to length. Fit the glazing panes (G), (H) and (J) as shown and fix by pressing plastic fixing strips (6500) onto each side (7.9) & (7.10).

Now tighten the bolts connecting the building to the foundation.

8. POSITIONING OF VENTS AND DOORS

Lift the vents into the prepared positions in the sides by loosening bar (6066) and sliding bar (6025) into bar (6066) from one end (8.1) & (8.2). Lift vent sill bar (6019) and fit it to the vent. When correctly positioned tighten all bolts on the inside.

Bolt the vent opener (1067) onto bar (6024) using screws (6062) (8.3).

Connect both vent fixers (6056) onto sill bar (6019) using screws (6062) (8.3).

Place the plastic cap (1019) over the end of the window opener (1067) (8.3).

Position the doors by inserting the plastic door guides (6057) into bar (6074) (8.4) (8.5) and then lower the wheels onto the door track on bar (6002) (8.6). Hook the door jump clips (6039) under the lip on (6002) and tighten the door wheel bolts (6046) (8.6) (8.7).

Connect plastic nut caps (6070) by pushing them onto all visible nuts (3002) inside the building (8.8).

Connect down pipe elbow (1402) to down pipe (1415). At 3 not adjacent corners connect the down pipe assembly (1402) / (1415) to eave ends (6067) (8.9). Hook clamp (1414) onto corner bars (6022) at the height of elbow (1402) and insert screw (1006) into the prepared hole in (1414) (8.10). Use the Ø 20 drill to make the drainage holes in the 3 eave ends (6067) noting the marked area.

Inside the greenhouse slide glazing spacers (6075) or (6076) onto eave angles (6072) / (6073). Fix these to eave angle (6072) centrally using screw (7349). (8.11) (8.12).

* **Note:** The formation of condensation is unavoidable in a greenhouse with

polycarbonate plates, however it may be reduced by exchanging the parts (6075 / 6076) with (6100). This will allow increased ventilation inside and thereby reduce the condensation.

Please fix (6100) in the middle of each field at the eave using screws (7349).

FINISHING

If desired, it is possible to seal the greenhouse at the edges and between the glazing and spacers (6075) or (6076) using neutral silicone. Silicone is not included.

Place the warning label inside the house.

A full range of accessories is available to help you make the most of this product. Please contact your local stockist for details.

SAFETY NOTICE

In the event of high winds, close all doors and vents.

In the event of heavy snowfall, clear the roof of the building or take suitable measures to support the roof. Heat the building in winter.

COMMENTS

For the complete protection of your new greenhouse, we advise you to include it in your house insurance. Please take note of possible building rules relating to the positioning of greenhouses.

Please stick the greenhouse model label provided onto the door bar (6014) after successfully assembling this product. This information is important in the event that replacement parts are later required.

Please keep these Assembly Instructions in a safe place, for future reference!

Our policy is one of continuous improvement and we reserve the right to change the specifications without prior notice.

1. BITTE LESEN SIE DIESE MONTAGEANLEITUNG VOR BEGINN DES AUFBAUS KOMPLETT DURCH!

- Bei der Handhabung von Glas, Hohlkammerplatten oder Gewächshausteilen sind immer eine Schutzbrille, Handschuhe, Sicherheitsschuhe und ein Kopfschutz zu tragen, da scharfe Kanten zu Verletzungen führen können. Gebrochenes Glas ist ein Sicherheitsrisiko. Beseitigen Sie es mit der gebotenen Vorsicht.
- Das von Ihnen erworbene Gewächshaus ist für die Aufzucht von Pflanzen konstruiert und sollte auch **ausschließlich** dafür genutzt werden. Bei anderweitiger Nutzung ist jegliche Haftung ausgeschlossen.
- Für die Montage dieses Gewächshauses sind zwei Personen erforderlich.
- Bei Benutzung einer Stufenleiter sollte immer eine zweite Person die Leiter sichern.
- Sollten Sie beim Montieren des Hauses oder beim Einsetzen der Verglasung Schwierigkeiten haben, dann setzen Sie sich bitte mit Ihrem Händler in Verbindung – **Wenden Sie keine Gewalt an!**
- Das Gewächshaus muss verankert werden.

Aufbaubeschreibung

STANDORTWAHL

Suchen Sie den sonnigsten, aber gleichzeitig einen windgeschützten Platz aus.

WICHTIG

Bevor Sie mit der Montage Ihres Gewächshauses beginnen, überprüfen Sie, ob alle in der Liste aufgeführten Teile vorhanden sind. Nehmen Sie die einzelnen Bündel aus der Verpackung, um sie besser identifizieren zu können.

Es ist wichtig, dass die geöffneten Bündel nicht durcheinander geraten.

„Leerschraube“ = Schraube und Mutter für die spätere Befestigung von Teilen, vorerst ohne sichtbare Funktion.

Fehlt etwas, dann setzen Sie sich bitte mit Ihrem Lieferanten in Verbindung.

BENÖTIGTE WERKZEUGE

Schraubendreher (Schlitz und Kreuzschlitz PH2), Schraubenschlüssel 10 mm & 17 mm, Stufenleiter 1,80 m, Teppichmesser, Zollstock, Wasserwaage, Bohrer Ø20, Akku-Schrauber mit einstellbarem Drehmoment.

WARTUNG

Das Gewächshaus sollte hin und wieder gründlich mit einer neutralen Waschmittellauge abgewaschen werden. Das Glas kann mit einem milden Reinigungsmittel gesäubert werden, das weder die Kunststoffteile, noch den Aluminiumrahmen oder die Glasfederklammern angreift. Reinigen Sie regelmäßig die Türlaufschienen.

0 FUNDAMENT

Wichtig! Das Fundament muss absolut eben sein. Ein verzinktes Stahlfundament ist für alle Gewächshaus-Modelle als Zubehör erhältlich.

(Achtung! Wenn das Gewächshaus an einer sehr ungeschützten und windigen Stelle aufgebaut werden muss: Durchbohren Sie die Grundprofile und das Stahlfundament und verschrauben Sie beide mittels Schrauben und Muttern miteinander. (Nicht im Lieferumfang)

Bei der Erstellung eines Fundamentes aus Stein oder Beton, richten Sie sich bitte nach den Maßangaben in Abbildung 0.

Unter den Bodenprofilen werden vorbehandelte, witterungsbeständige Holzleisten von mindestens 18 mm Dicke und max. 32 mm Breite benötigt, die zwischen Aluminiumrahmen und Fundament montiert werden. (A-A) Für die Türseite empfehlen wir die Verwendung von 52 mm breiten Leisten (B-B).

Die Bodenprofile sollten entsprechend der Zeichnung durchbohrt und mit 50mm langen Schrauben (nicht im Lieferumfang) mit dem Fundament verschraubt werden.

Fundamente müssen frostsicher (ca. 60-80 cm tief) eingelassen werden.

Alle Zeichnungen sind Innenansichten mit Ausnahme der Zeichnungen, die mit einem doppelten Rahmen versehen sind.

1. SEITENTEILE

Alle Teile auf dem Boden auslegen und lose gem. den Abb. (1.1) bis (1.6) verschrauben.

Achtung: Die Schraubenköpfe (nicht die Muttern) müssen in die jeweiligen Schraubenkanäle der vertikalen Profile geschoben werden.

Diesen Vorgang an den weiteren 4 Seitenwänden wiederholen.

2. SEITENTEILE - TÜR

Alle Teile auf dem Boden auslegen und lose gem. den Abb. (2.1) bis (2.6) verschrauben.

3. ZUSAMMENBAU DER SEITENTEILE

Die 6 Seitenteile mit Hilfe der Eckplatten (1092), (3.1) bis (3.3) miteinander verschrauben.

Die Kunststoff-Traufenecken (6067) an jeder Ecke auf die Traufe drücken (3.4) bis (3.6).

Nun das soweit verschraubte Gewächshaus auf das vorbereitete Fundament/Rahmen setzen und lose verschrauben.

(Bitte die Schrauben erst festziehen, nachdem das Haus verglast ist).

Den Rahmen justieren, bis er gerade und senkrecht ist. Die Schrauben, die die

Seitenelemente miteinander verbinden, festziehen.

Die Schrauben müssen fest, aber nicht zu fest angezogen werden.

4A. DACH

Alle Dachprofile (6087) auf dem Boden auslegen und mit einem Bleistift, wie in Abbildung (4.1) gezeigt, exakt markieren.

Diese Markierungen sind wichtig, um sicherzustellen, dass die Glasscheiben später genau passen.

Die beiliegende Montagehilfe (6144) mit dem Konus (6095) mittels der Schraube (3001) und Muttern (3002) verschrauben (4.2).

Die Dachprofile (6087) am Konus (6095) montieren (4.3) (4.4).

Achtung: Die geraden Schnittkanten der Dachprofile (6087) sollten die Montagehilfe (6144) (4.3) berühren.

Alle Schrauben fest anziehen.

Die horizontalen Dachverstreben (6097) mit dem Verbindungspunkt an der Markierung (1055 mm) verbinden (4.5) (4.6).

4B. DACH

Mindestens zwei Personen sollten nun die zusammengebaute Konstruktion auf das Dach heben.

Die Dachprofile (6087) an jeder Ecke verschrauben (4.7).

Von der Leiter aus die mittleren Dachprofile (6088) mit dem sechseckigen Konus (6095) (4.8), den horizontalen Dachverstreben (6097) (4.9) und Traufenwinkeln (6072/6073) (4.10) verschrauben.

Alle Schrauben fest anziehen.

Den äußeren Konus (6036) mit der Schraube (6052), der Unterlegscheibe (6061), dem Abstandhalter (1010) und der Mutter (3002) verschrauben.

Achtung: Schraube (3001) und Mutter (3002) der Montagehilfe (6144) müssen an dieser Stelle entfernt werden.

Innen die Schraubenverlängerung (6038) mit der Schraube (6052) verbinden und dann die Abdeckung (6099) mittels Unterlegscheibe (6061) und

Schraube (6059) verbinden (4.11).

5L & R. TÜREN

Die senkrechten Türprofile (6085) / (6086) auf dem Boden auslegen und je 6 Schrauben (3001) in die Schraubenkanäle schieben. Die Glasdichtungen (6089) auf die senkrechten Türprofile (6085) / (6086) (5.1.) drücken und auf Länge schneiden.

Profile (6017) (5.2) mit den Profilen (6085)/(6086) mittels der zuvor eingeführten Schrauben montieren.

Bitte darauf achten, dass die unteren Kanten der Profile(6085/6086) mit der Rille gegenüber dem oberen Profil (6017) abschließen wie abgebildet. Dadurch ist sichergestellt, dass der korrekte Überhang des unteren Profils erreicht wird.

Die untere Glasscheibe (B) einsetzen und dann das mittlere Profil (6140) bzw. (6141) auf (6085) / (6086) (5.3) (5.4) positionieren.

Die Türschlossteile (6143), (7400) und (7401) mittels Schrauben (6142) mit den mittleren Profilen (6140) oder (6141) montieren (5.3).

Zum Schluss die obere Glasscheibe (A) einsetzen und das Profil (6014) mit Hilfe der letzten zwei dafür vorgesehenen Schrauben (5.5) befestigen.

Das Glas an beiden Seiten mit den Kunststoff Befestigungsstreifen (6500) (5.6) fixieren.

Sicherstellen, dass die Tür absolut rechtwinklig ist bevor alle Schrauben festgezogen werden. (Hinweis: Sind die diagonalen Längen gleich, ist die Tür rechtwinklig.)

Die Kunststoff-Türführungen (6057) mit dem Profil (6014) mittels Schrauben (6062) verbinden (5.5).

Die Türlaufrollen (6049) und Festhalter (6039) mit dem unteren Profil (6017) lose mittels Schraube (6046), Unterlegscheiben (6051) und Mutter (3002) verbinden (5.2).

Diese müssen später, wenn die beiden Türen in das Haus eingebaut werden, festgezogen werden.

Die Türen für den späteren Einbau zur Seite legen.

6. FENSTER

Die Position der Fenster wird festgelegt durch die vorgebohrten Löcher im oberen Traufenwinkelprofil (6072). **Achtung:** Die Fensterdichtung (6034) auf Zimmertemperatur erwärmen! Die Dichtung (6034) mittig auf die obere Glasscheibe (6.1) drücken.

Bitte nicht aufziehen!

An jeder Ecke (6.2) die Dichtung einschneiden und dann auf die Scheibenränder der Scheibe (C) drücken. Dabei sicherstellen, dass die Schnitte über die Ecken passen (6.3). Das untere Fensterprofil (6024) über der Dichtung (6.3) anbringen und die Seitenprofile (6020) und (6021) montieren.

Verbinden Sie diese an den Ecken mit Hilfe der Schrauben (1008) (6.4).

Alle weiteren Ecken einschneiden und die Dichtung abschließend auf die obere Kante drücken und in der Mitte auf Länge kürzen. Das obere

Fensterprofil (6025) montieren und mit den Seitenprofilen (6020) und (6021) mittels Schrauben (1008) verbinden (6.5).

Sicherstellen, dass das Fenster absolut rechtwinklig ist, bevor alle Schrauben festgezogen werden.

Legen Sie die Fenster zum späteren Einbau an die Seite.

Jetzt die Profile (6066) mit den Schrauben (3001) am Traufenwinkelprofil (6072) befestigen. Dazu die vorgebohrten Löcher benutzen. (6.6)

Seitenstrebe (6003) und Diagonalstrebe (6008) lösen, um das Fensterbankprofil (6019) hinter diesen anzubringen (6.7). (6003) und dann (6008) wieder montieren und lose mit Muttern (3002) (6.7) (6.8) verschrauben. Nicht festziehen, bevor das Fenster in das Haus eingesetzt ist.

Diesen Vorgang bei allen Fenstern wiederholen.

7. VERGLASUNG

Bitte beachten Sie die bereits erwähnten

Sicherheitshinweise!

Wichtig! Die UV- beständige Seite der Hohlkammerplatten ist durch eine Plastikfolie oder einen gedruckten Hinweis an den Kanten gekennzeichnet. Diese Seite muss nach außen zeigen! Entfernen Sie die Folie.

Die Scheiben (D), (E) und (F) in die vorgesehenen Führungsschienen in den Dachprofilen (6087) und (6088) (7.2) (7.3) schieben. Eine zweite Person, auf einer Leiter im Haus stehend, bringt die Platten in die Führungen.

Wenn die nebeneinander liegenden Scheiben eingesetzt sind, die Arretierungen (6077), (6078) oder (6079) mittels Schrauben (7349) montieren (7.4), um ein Herausrutschen aus den Führungen zu verhindern.

3 Schrauben in jedes Traufenprofil (6074) einsetzen und mit den Traufenwinkeln (6072) oder (6073) verbinden, wobei die Scheiben in das montierte Traufenprofil (6074) hineinreichen sollen (7.4).

Die Glasdichtungen (6090) auf alle Seitenprofile (6013) und (6022) (7.8) drücken und auf Länge schneiden.

Die Glasscheiben (G),(H) und (J) wie abgebildet einsetzen und durch Aufdrücken der Kunststoff-Fixierungsstreifen (6500) auf jeder Seite (7.9) & (7.10) fixieren.

Nun die Schrauben, die das Haus mit dem Fundament verbinden, anziehen.

8. EINBAU DER FENSTER & TÜREN

Die Fenster an den dafür vorgesehenen Stellen der Seiten einsetzen, indem das Profil (6066) gelöst wird und das Profil (6025) in das Profil (6066) von einem Ende eingeschoben wird. (8.1) & (8.2). Fensterbankprofil (6019) anheben und bündig auf die Glasscheibe (H) drücken.

Wenn alles richtig sitzt, alle Schrauben von innen festziehen.

Fensteröffner (1067) mit Profil (6024) mittels Schrauben (6062) verbinden (8.3). Beide Fensterfeststeller (6056) mit dem Fensterbankprofil (6019) mittels Schrauben (6062) verbinden.

(8.3). Die Kunststoffkappe (1019) auf das Ende des Fensteröffners(1067) aufstecken (8.3). Die Kunststoff-Türgleiter (6057) in das Traufenprofil (6074) (8.4) (8.5) einsetzen und dann die Rollen unten auf die Türlaufschiene setzen (6002) (8.6) (8.7). Die Türfesthalter (6039) unter der Nase (6002) einhaken und die Türrollenschrauben (6046) festziehen (8.6).

Die Kunststoffkappen (6070) auf allen sichtbaren Muttern (3002) im Haus anbringen (8.8).

Montieren Sie das Kniestück (1402) an dem Fallrohr(1415). An 3 nicht nebeneinander liegenden Ecken die Fallrohre (1402)(1415) an den Traufenden (6067) befestigen (8.9). Haken Sie die Klemme (1414) an den Eckpfosten (6022) in Höhe des Kniestücks (1402) ein und führen Sie eine Schraube (1006) in das vorgebohrte Loch (1414) ein (8.10).

Bohren Sie mit dem Ø 20 Bohrer an der markierten Stelle Drainagelöcher in die 3 Traufenden (6067).

Schieben Sie Glasabstandshalter (6075) oder (6076) von der Innenseite des Gewächshauses auf die Traufenwinkel (6072) (6073) und verschrauben Sie sie mittig mit der Schraube (7349) (8.11) (8.12).

*** Achtung!** Die Bildung von Kondenswasser ist in einem Gewächshaus mit Hohlkammerplatten unvermeidlich. Sie kann aber verringert werden durch Austausch der Teile (6075 / 6076) mit (6100). Dies hätte eine erhöhte Ventilation im Innenbereich zur Folge und dadurch würde die Bildung von Kondenswasser reduziert werden. Bitte (6100) mit den Schrauben (7349) in der Mitte eines jeden Feldes montieren.

DIE LETZTEN HANDGRIFFE

Bei Bedarf können Sie das Gewächshaus an den vorhandenen Fugen mit neutral-vernetzendem Silikon abdichten. Das neutral-vernetzende Silikon wird nicht mitgeliefert.

Den beiliegenden Warnungsaufkleber von innen aufkleben.

Ihr Lieferant hält ein reichhaltiges Sortiment an Gewächshaus-Zubehör für sie bereit.

Sprechen Sie ihn an.

SICHERHEITSHINWEIS

Bei starkem Wind müssen alle Fenster und die Türen geschlossen sein.

Dächer von Gewächshäusern sind rechtzeitig von Schnee zu räumen, sodass keine gefährliche Schneebelastung eintreten kann.

Beheizen Sie das Haus im Winter.

ANMERKUNGEN

Zum vollen Schutz des Gewächshauses empfehlen wir, es mit in Ihre Hausversicherung einzuschließen. Beachten Sie eventuell vorhandene örtliche Bauvorschriften.

Den mitgelieferten Typaufkleber nach erfolgter Montage auf das Türprofil (6014) kleben. Die Typbezeichnung benötigen Sie zur Angabe bei der Bestellung evtl. benötigter Ersatzteile.

Bitte heben Sie die Montageanleitung auf!

Alle Maßangaben sind Annäherungswerte.

Änderungen vorbehalten.

Mesures préventives de sécurité

1. MERCI DE LIRE CES INSTRUCTIONS INTÉGRALEMENT AVANT DE COMMENCER LE MONTAGE !

- Toujours porter des lunettes et des gants de protection, des chaussures de sécurité et un casque lors de la manipulation du verre, des panneaux alvéolaires ou des éléments de la serre étant donné que les rebords coupants peuvent provoquer des blessures. Le verre brisé constitue un risque. Merci de l'éliminer avec la prudence qui s'impose.
- La serre que vous venez d'acquérir a été conçue pour la culture de plantes et doit être utilisée exclusivement dans cet objectif. Nous excluons toute responsabilité en cas d'autre utilisation.
- Deux personnes sont nécessaires pour réaliser le montage de cette serre.
- Lors de l'utilisation d'une échelle, la faire toujours sécuriser par une deuxième personne.
- Si vous deviez rencontrer des difficultés lors du montage de la structure ou de l'installation du vitrage, merci de contacter votre revendeur – **N'ayez pas recours à la force !**
- La serre doit être ancrée.

Description du montage

CHOIX DE L'EMPLACEMENT

Choisissez l'emplacement le plus ensoleillé mais aussi le mieux protégé du vent.

IMPORTANT

Avant de commencer le montage de votre serre, vérifiez que vous disposez de toutes les pièces telles qu'elles sont indiquées dans la liste. Retirez les différents paquets de l'emballage pour mieux les identifier.

Il est important de ne pas mélanger les paquets ouverts.

« *boulon* » = vis et écrou pour la fixation ultérieure de pièces, sans fonction visible dans un premier temps.

Si un composant manque, merci de contacter votre revendeur.

OUTILS NÉCESSAIRES

Tournevis (à fente et cruciforme PH2), clé à disques de 10 mm & 17 mm, échelle à échelons de 1,80 m, cutter, mètre pliant, niveau à bulle, mèche de 20 de Ø, visseuse sans fil avec moment de force réglable.

MAINTENANCE

La serre doit être nettoyée de temps en temps à fond avec une lessive neutre. Les vitres peuvent être nettoyées avec un produit doux qui n'attaque ni les pièces en plastique ni le cadre en aluminium ni les pinces à ressort des vitres. Nettoyez régulièrement les rails de la porte.

0. FONDATIONS

Important ! Les fondations doivent être parfaitement planes. Des fondations en acier galvanisé sont disponibles comme accessoires pour tous les modèles de serre.

(Attention ! Quand la serre doit être montée à un emplacement non protégé et exposé au vent : percez le profil de base et les fondations en acier et vissez-les ensemble avec des vis et des écrous (Non fournis)

Lorsque vous posez des fondations en pierre ou en béton, merci de vous orienter sur les dimensions indiquées sur l'illustration 0.

Sous les profilés du sol, on a besoin de barres en bois traitées au préalable et protégées contre les intempéries d'une épaisseur d'au moins 18 mm et de 32 mm de large maximum montées entre le cadre en aluminium et les fondations. (A-A) Pour le côté de la porte, nous recommandons d'utiliser des barres de 52 mm (B-B).

Les profilés du sol doivent être percés conformément au schéma et vissés aux fondations avec des vis de 50 mm de long (non fournis).

Les fondations doivent être posées de manière à être protégées du vent (de 60 à 80 cm de profondeur environ).

Tous les schémas représentent la vue de l'intérieur de la construction sauf ceux imprimés dans un double encadré.

1. PAROIS LATÉRALES

Placez toutes les pièces sur le sol et vissez-les légèrement conformément aux illustrations (1.1) à (1.6).

Attention : les têtes de vis (et pas les écrous) doivent être insérées dans les canaux de vis correspondants des profilés verticaux. Répéter l'opération sur les 4 autres parois latérales.

2. ÉLÉMENTS LATÉRAUX - PORTE

Placez toutes les pièces sur le sol et vissez-les légèrement conformément aux illustrations (2.1) à (2.6).

3. ASSEMBLAGE DES ÉLÉMENTS LATÉRAUX

Visser les 6 parties latérales entre elles à l'aide des panneaux d'angle (1092), de (3.1) à (3.3).

Enfoncer les angles en plastique des gouttières (6067) à chaque angle de la gouttière de (3.4) à (3.6).

Placez la serre telle que vous l'avez assemblée jusqu'à présent sur les fondations/ le cadre préparé et vissez-la légèrement. (Merci de ne serrer ces vis à fond qu'une fois le vitrage de la construction terminé).

Ajuster le cadre jusqu'à ce qu'il soit droit et vertical. Serrer les vis qui relient les éléments latéraux entre eux à fond.

Les vis doivent être serrées mais pas trop.

4A. TOIT

Placez tous les profilés de toit (6087) sur le sol et les marquer avec précision comme indiqué sur l'illustration (4.1) avec un crayon. Ces marquages sont importants pour s'assurer que les vitres rentreront parfaitement dedans plus tard.

Visser l'aide au montage (6144) ci-jointe au cône (6095) au moyen des vis (3001) et des écrous (3002) (4.2).

Monter les profilés du toit (6087) sur le cône (6095) (4.3) (4.4).

Attention : Les rebords de coupe droit des profilés de toit (6087) doivent toucher l'aide au montage (6144) (4.3).

Serrer toutes les vis à fond.

Raccorder les contre-fiches horizontales du toit (6097) avec le point de connexion sur le marquage (1055 mm) (4.5) (4.6).

4B. TOIT

Deux personnes au moins doivent effectuer ensemble l'opération de soulever la construction à présent assemblée sur le toit. Visser les profilés du toit (6087) à chaque angle (4.7).

En partant de l'échelle, visser les profilés centraux du toit (6088) avec le cône hexagonal (6095) (4.8), les contre-fiches horizontales du toit (6097) (4.9) et les équerres de gouttière (6072/6073) (4.10).

Serrer toutes les vis à fond.

Visser le cône extérieur (6036) avec la vis (6052), la rondelle (6061), l'entretoise (1010) et l'écrou (3002).

Attention : Il faut retirer ici les vis (3001) et les écrous (3002) de l'aide au montage (6144). Raccorder à l'intérieur la rallonge de vis (6038) avec la vis (6052) puis le cache (6099) au moyen de la rondelle (6061) et de la vis (6059) (4.11).

5L & R. PORTES DE GAUCHE & DE DROITE

Placer les profilés de porte verticaux (6085) / (6086) et insérer 6 vis (3001) dans chaque canal de vis. Enfoncer les joints de glaces (6089) dans les profilés verticaux de la porte (6085) / (6086) (5.1) et les découper à la

longueur désirée.

Monter les profilés (6017) (5.2) avec les profilés (6085) / (6086) au moyen des vis insérées auparavant.

Merci de veiller à ce que les rebords inférieurs des profilés (6085/6086) avec la rainure soient au même niveau que le profilé supérieur (6017) comme indiqué sur l'illustration. Cela permet de s'assurer que l'on a atteint le dépassement correct du profilé inférieur.

Insérer la vitre inférieure (B) puis positionner le profilé central (6140) ou (6141) sur (6085) / (6086) (5.3) (5.4).

Monter les éléments de la serrure de la porte (6143), (7400) et (7401) au moyen des vis (6142) avec les profilés centraux (6140) ou (6141) (5.3).

Pour finir, mettre la vitre supérieure (A) en place et fixer le profilé (6014) à l'aide des deux vis prévues à cet effet (5.5).

Fixer la vitre sur les deux côtés avec les bandes de fixation en plastique (6500) (5.6). S'assurer que la porte est bien parfaitement perpendiculaire avant de serrer toutes les vis à fond. (Remarque : si les diagonales ont la même longueur, alors la porte est perpendiculaire.)

Raccorder les guidages de la porte en plastique (6057) avec le profilé (6014) au moyen des vis (6062) (5.5).

Raccorder les roulettes de coulissage de la porte (6049) et le serre-flanc (6039) avec le profilé inférieur (6017) en utilisant des vis (6046), des rondelles (6051) et des écrous (3002) vissés légèrement (5.2).

Ils devront être serrés à fond plus tard quand les deux portes seront montées sur la construction.

Mettre les portes de côté pour les monter ultérieurement.

6. FENÊTRE

La position de la fenêtre est définie par les trous prépercés du profilé d'angle de gouttière supérieur (6072). Attention : réchauffer le joint de la fenêtre (6034) à température ambiante ! Enfoncer le joint (6034) au centre sur la vitre supérieure (6.1).

Merci de ne pas le serrer à fond !

Découper le joint à chaque angle (6.2) et l'enfoncer ensuite sur les bords de la vitre (C). S'assurer alors que les coupes sont à la bonne taille sur les angles (6.3). Installer le profilé de fenêtre inférieur (6024) sur le joint (6.3) et monter les profilés latéraux (6020) et (6021).

Raccordez-les aux angles à l'aide des vis (1008) (6.4).

Découper tous les autres angles puis enfoncer le joint sur le rebord supérieur et le couper au centre à la bonne longueur. Monter le profilé de fenêtre supérieur (6025) et le fixer aux profilés latéraux (6020) et (6021) avec les vis (1008) (6.5).

Assurez-vous que la fenêtre est bien parfaitement perpendiculaire avant de serrer toutes les vis à fond.

Mettez la fenêtre de côté pour la monter plus tard.

Fixer à présent les profilés (6066) avec les

vis (3001) sur le profilé d'angle de la gouttière (6072). Pour cela, utiliser les trous prépercés. (6.6)

Détacher les étais latéraux (6003) et diagonaux (6008) pour installer le profilé de rebord de la fenêtre (6019) derrière celui-ci (6.7). Remonter (6003) puis (6008) et les visser légèrement avec les écrous (3002) (6.7) (6.8). Ne pas les serrer à fond avant que la fenêtre ne soit installée dans la construction. Répéter l'opération sur toutes les fenêtres.

7. VITRAGE

Merci de respecter les consignes de sécurité indiquées précédemment
Consignes de sécurité !

Important ! Le côté résistant aux UV des panneaux alvéolaires est marqué par un film plastique ou un avis imprimé sur le rebord. Ce côté doit être tourné vers l'extérieur ! Retirez le film.

Insérer les vitres (D), (E) et (F) dans les rails de guidage des profilés du toit (6087) et (6088) prévus à cet effet (7.2) (7.3). Une deuxième personne qui se tient sur une échelle à l'intérieur de la construction met les panneaux dans les guidages.

Quand on met des vitres en place les unes à côté des autres, monter les blocages (6077), (6078) ou (6079) au moyen des vis (7349) (7.4) pour les empêcher de glisser hors des guidages.

Insérer 3 vis dans chaque profilé de gouttière (6074) et les raccorder avec les équerres de gouttière (6072) ou (6073), les vitres doivent alors avancer jusqu'au profilé de gouttière monté (6074) (7.4).

Enfoncer les joints de glaces (6090) dans les profilés latéraux (6013) et (6022) (7.8) et les découper à la longueur désirée.

Mettre les vitres (G), (H) et (J) en place comme indiqué sur l'illustration et les fixer de chaque côté en enfonçant les bandes de fixation en plastique (6500) (7.9) & (7.10).

Serrer à présent les vis de raccord entre la construction et les fondations.

8. MONTAGE DES FENÊTRES & DES PORTES

Mettre les fenêtres en place aux emplacements prévus en desserrant le profilé (6066) et en insérant le profilé (6025) dans le profilé (6066) à partir d'une des extrémités. (8.1) & (8.2).

Soulever le profilé du rebord de la fenêtre (6019) et le pousser en affleurement contre la vitre (H).

Quand tous les éléments sont bien en place, serrer les vis à fond de l'intérieur.

Raccorder les dispositifs d'ouverture de fenêtre (1067) avec le profilé (6024) au moyen des vis (6062) (8.3). Raccorder les deux fixateurs de fenêtres (6056) avec le profilé de rebord de fenêtre (6019) au moyen des vis (6062). (8.3). Enfoncer les bouchons en plastique (1019) sur les extrémités du dispositif d'ouverture de fenêtre (1067) (5a.8.3). Mettre les patins en plastique de la porte (6057) en place dans le profilé de gouttière (6074) (8.4) (8.5) puis insérer les roulettes dans le rail de la porte par le bas (6002) (8.6) (8.7). Accrocher le serre-flanc de la porte (6039) sous le nez (6002) et serrer à

fond les vis des roulettes des portes (6046) (8.6).

Enfoncer les bouchons en plastique (6070) sur tous les écrous visibles (3002) de la construction (8.8).

Montez le coude (1402) sur le tuyau de descente (1415). Fixer les tuyaux de descente (1402) (1415) sur les extrémités des gouttières (6067) sur 3 angles qui ne se trouvent pas les uns à côtés des autres (8.9). Accrochez la pince (1414) sur les piliers d'angle (6022) à hauteur du coude (1402) et insérez une vis (1006) dans le trou prépercé (1414) (8.10).

Percez les trous de drainage sur les 3 extrémités des gouttières (6067) sur les points marqués avec une mèche de 20 de Ø.

Insérer l'entretoise de vitre (6075) ou (6076) sur l'équerre de gouttière (6072) (6073) depuis l'intérieur de la serre et vissez-la au centre avec la vis (7349) (8.11) (8.12).

* **Attention !** La formation d'eau de condensation est inévitable dans une serre avec des panneaux alvéolaires mais elle peut cependant être réduite en échangeant les pièces (6075 / 6076) avec (6100). Cela entraîne une augmentation de la ventilation à l'intérieur et réduit donc la formation d'eau de condensation.

Merci de monter (6100) avec les vis (7349) au centre de chaque champ.

LES DERNIERS GESTES

Au besoin, vous pouvez colmater les joints existants sur votre serre avec de la silicone réticulée neutre. Cette silicone réticulée neutre n'est pas comprise dans la livraison.

Coller l'autocollant d'avertissement ci-joint à l'intérieur.

Votre fournisseur tient une vaste gamme d'accessoires pour serres à votre disposition.

Contactez-le.

CONSIGNES DE SECURITÉ

En cas de vent fort, toutes les fenêtres et toutes les portes doivent être fermées.

La neige présente sur les toits des serres doit être déblayée à temps de manière à éviter toute charge dangereuse due à la neige.

Chauffez la serre pendant l'hiver.

REMARQUES

Pour protéger votre serre au maximum, nous recommandons de l'inclure à votre couverture d'assurance ménagère. Prenez en compte les éventuelles réglementations locales en vigueur.

Coller l'autocollant signalétique fourni sur le profilé de la porte (6014) une fois le montage terminé. Vous aurez besoin de cette désignation pour commander d'éventuelles pièces de rechange.

Merci de conserver les instructions de montage !

Toutes les dimensions indiquées sont des valeurs approximatives.

Sous réserve de modifications

Veiligheidsvoorschriften

1. **LEEST U EERST DE GEHELE INSTRUCTIES DOOR ALVORENS TE BEGINNEN MET DE OPBOUW VAN DE KAS.**
2. Scherpe hoekjes en randen kunnen tot verwondingen leiden. Draag altijd een veiligheidsbril, beschermende handschoenen, schoenen en hoofdbedekking als u werkt met de aluminium profielen, glas- en polycarbonaat platen. Gebroken glas is een veiligheidsrisico - u dient het veilig en meteen op te ruimen.
3. Het product dat u hebt gekocht is alleen bestemd voor het kweken van planten en dient uitsluitend voor dit doel te worden gebruikt. Wanneer het voor andere doeleinden zal worden gebruikt, dragen wij hier geen verantwoordelijkheid voor.
4. Wij raden u aan de kas met twee personen in elkaar te zetten.
5. Wanneer een trapladder wordt gebruikt, dient één persoon deze altijd te stabiliseren terwijl de andere werkt.
6. Mocht u problemen hebben met het bouwen van deze kas of het inpassen van de glas- of polycarbonaat platen, neem dan contact op met uw leverancier.
– **Gebruik geen geweld!**
7. De kas moet altijd worden verankerd.

Montage Instructies

KIEZEN PLAATS

Probeer altijd een zonnige plaats te kiezen die zoveel mogelijk tegen wind beschermt is.

BELANGRIJK

Controleer a.u.b. of u alle onderdelen op de meegeleverde lijst hebt voordat u begint aan het in elkaar zetten van uw nieuwe kas. Haal a.u.b. elk pakket uit de doos om de onderdelen beter te identificeren.

Het is belangrijk dat de open pakketten niet door elkaar gehaald worden.

Als er onderdelen ontbreken, neem dan a.u.b. contact op met uw leverancier.

VEREISTE GEREEDSCHAPPEN

Schroevendraaiers (normale en kruiskop PH2), een 10 mm en 17 mm moer- of steeksleutel, een 10 mm combinatiesleutel, een trapladder van 1,8 m, stanleymes, maatstok, waterpas, Ø 20 boor, accuboormachine met instelbaar moment.

ONDERHOUD

Om uw kas schoon te houden dient deze af toe grondig gereinigd te worden met een zacht reinigingsmiddel. Zorg er a.u.b. voor dat het reinigingsmiddel niet agressief reageert met aluminium of kunststof.

Om te voorkomen dat zich vuil ophoopt in de deurrails, zal men deze regelmatig moeten schoonmaken.

0. FUNDERING

Belangrijk! De fundering moet waterpas zijn. Eenegalvaniseerde fundering is voor ieder type kas verkrijgbaar bij uw leverancier.

(Attentie! Alleen als de kas op een erg winderige en onbeschermd plaats staat dan moet u de kas en de fundering aan elkaar vast maken: boor dan gaatjes door het profiel onderaan de kas en de stalen fundering, en maak aan elkaar vast met behulp van moertjes en boutjes.)

Als u liever uw eigen stenen of betonnen fundering wilt construeren, volg dan a.u.b. de afmetingen in diagram 0.

Geïmpregneerde houten balken van minstens 18 mm hoog en niet meer dan 32 mm breed zullen tussen de stenen/betonnen fundering en het aluminium frame (A-A) moeten worden geplaatst. Gebruik aan de kant waar de deur zal zitten, een maximaal 52 mm brede, geïmpregneerde houten balk (B-B). Verbind de houten balken met de fundering met 50 mm lange bouten (niet inbegrepen).

De fundering moet tot beneden de vorstgrens zitten.

Op de tekeningen met het enkelvoudige frame wordt de binnenkant van de kas getoond. Op de tekeningen met het dubbele frame wordt de kas van de buitenkant bekeken.

1. ZIJKANTEN

Leg alle onderdelen uit op de grond en schroef ze losjes aan elkaar. (1.1) tot (1.6).

N.B.: Alle boutkoppen moeten in de boutkanalen schuiven in elk verticaal profiel.

Herhaal dit voor de overige 4 achterkanten.

2. ZIJ-ELEMENT - DEUR

Leg alle onderdelen uit op de grond en schroef ze losjes aan elkaar, (2.1) aan (2.6).

3. HET SAMENVOEGEN VAN DE ZIJ-ELEMENTEN

Bout de zes zij-elementen aan elkaar vast m.b.v. hoekplaten (1092), (3.1) aan (3.3).

Installeer voorzichtig de kunststof einden van de zijkant (6067) in de zijkanten op elke hoek, (3.4) aan (3.6).

Plaats nu uw frame op de voorbereide fundering / fundatie en bevestig het geheel losjes. (Draai deze bouten pas vast nadat de kas volledig is beglaasd.)

Stel het frame zodanig af dat het haaks en

verticaal is en draai de boutjes die de zijkanten verbinden, vast.

Belast de boutjes niet met teveel kracht bij het aandraaien.

4A. DAK

Leg alle dakprofielen (6087) op de grond en markeer ze nauwkeurig met een potlood zoals op de tekening (4.1). Deze markeringen zijn belangrijk om te waarborgen dat de glasplaten later passen.

Verbind de hulpschijf (6144) voor montage met de zeskante conus (6095) m.b.v. boutje (3001) en moertje (3002) (4.2).

Monteer de dakprofielen (6087) op de conus (6095) (4.3) (4.4).

N.B.: de recht afgesneden rand van (6087) moet de schijf (6144) (4.3) raken.

Draai alle boutjes vast.

Verbind de ringbalk (6097) met de rand van het verbindingspunt op de markering (1055 mm) (4.5) (4.6).

4B. DAK

Twee mensen moeten de constructie nu op het dak tillen.

Verbind de dakprofielen (6087) op elke hoek (4.7).

Verbind m.b.v. de trapladder de middenprofielen van het dak (6088) met de zeskante conus (6095) (4.8), de ringbalk (6097) (4.9) en de hoek van de zijkant (6072) / (6073) (4.10). Draai alle boutjes vast.

Monteer de uitwendige conus (6036) met boutje (6052), ringetje (6061), afstandsbus (1010) en moertje (3002) en til deze op zijn plaats.

N.B.: boutje (3001) en moertje (3002) die de schijf (6144) verbinden, moeten op dit punt worden verwijderd.

Verbind aan de binnenkant boutextensie (6038) met bout (6052) en verbind dan afdekking (6099) met (6038) m.b.v. ringetje (6061) en boutje (6059) (4.11).

5L & R. LINKER- & RECHTERDEUREN

Leg de verticale deurprofielen (6085) / (6086) op de grond en prepareer 6 boutjes (3001) in elk van de boutkanalen.

Duw de rubberen glasafdichtingen (6089) op (6085) / (6086) (5.1) en snij ze op de juiste lengte.

Verbind (6017) met profielen (6085) / (6086) m.b.v. de geprepareerde eindbouten (5.2).

Zorg ervoor dat de onderranden van profielen (6085) / (6086) uitgelijnd zijn op de groef in de voorkant van het onderprofiel (6017) zoals op de tekening. Dit zal ervoor zorgen dat de juiste oversteek van het onderprofiel wordt bereikt.

Plaats de onderste glasruit (B) en dan het middenprofiel (6140) of (6141) op (6085) / (6086) (5.3) (5.4).

Monteer borgonderdelen (6143), (7400) en (7401) m.b.v. boutjes (6142) op de middenprofielen (6140) of (6141) (5.3).

Plaats ten slotte de bovenste glasruit (A) en monteer (6014) m.b.v. de laatste twee geprepareerde boutjes (5.5).

Fixeer het glas aan beide kanten met de kunststof montagestrips (6500) (5.6).

Zorg ervoor dat de deur volkomen haaks is alvorens alle bouten vast te draaien. Dit kan gebeuren door meting van de diagonalen.

Monteer de kunststof deurgeleiders (6057) op het profiel (6014) met schroeven (6062) (5.5).

Monteer de deurwielen (6049) en de deurclips (6039) losjes met het onderprofiel (6017) m.b.v. bout (6046), ringtjes (6051) en moer (3002) (5.2). Deze moeten worden vastgedraaid als de deur later in de kas wordt gemonteerd.

Herhaal dit voor beide deuren en leg ze terzijde voor later gebruik.

6. RAMEN

De positie van de ramen wordt bepaald door de locatie van de geprepareerde gaten in de hoek van de zijkant (6072).

N.B.: Verwarm de raamafdichting (6034) tot kamertemperatuur! Druk de afdichting (6034) midden op de bovenrand van de glasruit (C) (6.1). **Niet uitrekken.**

Maak op de hoek (6.2) een snede in de afdichting; druk dan de afdichting op de zij- en onderranden van ruit (C) en snij hem zo af dat hij rond elke hoek past.

Monteer het onderprofiel van het raam (6024) boven de afdichting (6.3) en dan de zijprofielen (6020) en (6021). Monteer deze op de hoeken m.b.v. schroeven (1008) (6.4).

Druk ten slotte de afdichting op de bovenrand en snij hem in het midden op lengte. Monteer het bovenprofiel van het raam (6025) en monteer het op de zijprofielen (6020) en (6021) met schroeven (1008) (6.5).

Zorg ervoor dat het raam volkomen haaks is alvorens alle bouten vast te draaien.

Monteer profiel (6066) m.b.v. bout (3001) op de hoek van de zijkant (6072) d.m.v. de geprepareerde gaten (6.6).

Verwijder de zijschoor (6003) en diagonale schoor (6008) en monteer het kalfje van het raam (6019) erachter (6.7).

Vervang (6003) en daarna (6008), en verbind deze losjes met moer (3002) (6.7) (6.8). Draai niet vast totdat het dakraam in de kas is gemonteerd.

Herhaal dit voor alle ramen en leg ze terzijde voor later gebruik.

7. BEGLAZING

Denkt u alstublieft aan de al eerder genoemde veiligheidsregels.

Zorg ervoor dat de U/V-beveiligde voorkant van alle polycarbonaat platen aan de buitenkant zit.

Beglaas het dak door ruit (D), (E) en (F) in de passende geleiders in de dakprofielen (6087) en (6088) (7.2) (7.3) te schuiven, terwijl één persoon de trapladder binnen de kas gebruikt. Als aan elkaar grenzende ruiten op hun plaats zijn, verbind dan de einden (6077), (6078) of (6079) m.b.v. schroeven (7349) (7.4) om te voorkomen dat zij uit de geleiders schuiven.

Plaats het deurgeleiderprofiel (6074) op de hoek van de zijkant (6072) / (6073) en zet het vast op zijn plaats m.b.v. 3 gelijkelijk uit elkaar geplaatste schroeven (6068) (7.6) (7.7).

Duw de beglazingsprofielen (6090) op alle zijprofielen (6013) en (6022) en snij ze op de juiste lengte.

Monteer de glasruiten (G), (H) en (J) zoals op de tekening en zet ze vast door de kunststof fixeersstrips (6500) op elke kant te drukken (7.9) & (7.10).

Draai nu de bouten die de kas met de fundering verbinden, vast.

8. PLAATSING VAN RAMEN EN DEUREN

Til de ramen in de geprepareerde posities in de zijkanten door profiel (6066) los te maken en profiel (6025) in profiel (6066) vanaf één kant (8.1) & (8.2) te schuiven. Til het kalfje van het raam (6019) op en monteer het aan het raam. Draai alle bouten vast aan de binnenkant als zij juist geplaatst zijn.

Bevestig de raamopener (1067) op profiel (6024) door middel van schroeven (6062) (8.3).

Monteer beide dakraamstoppen (6056) op het kalfje (6019) door middel van schroeven (6062) (8.3).

Plaats de plastic dop (1019) over het einde van de raamopener (1067) (8.3).

Plaats de deuren door de kunststof deurgeleiders (6057) in het profiel (6074) (8.4) (8.5) te installeren en laat dan de wielen op de deurrail op profiel (6002) (8.6) zakken. Haak de deurclips (6039) onder de lip op (6002) en draai de deurbouten (6046) (8.6) (8.7) vast.

Monteer de kunststof moerdoppen (6070) door ze op alle zichtbare moertjes (3002) binnen de

kas (8.8) te duwen.

Monteer de kniebocht van de valpijp (1402) op de valpijp (1415). Verbind op 3 niet aan elkaar grenzende hoeken de valpijppgroep (1402) / (1415) met de einden van de zijkant (6067) (8.9). Haak klem (1414) op de hoekprofielen (6022) ter hoogte van de kniebocht (1402) en installeer schroef (1006) in het geprepareerde gat in (1414) (8.10). Gebruik de Ø 20 boor om de drainagegaten in de 3 einden van de zijkant te maken (6067) en let daarbij op het gemarkeerde gebied.

Schuif binnen de kas de glasafstandsbusen (6075) of (6076) op de hoeken van de zijkant (6072) / (6073). Zet deze centraal vast op de hoek van de zijkant (6072) m.b.v. schroef (7349). (8.11) (8.12).

* **N.B.:** In een kas met polycarbonaat ruiten is de vorming van condensaat onvermijdelijk; het kan echter worden verminderd door vervanging van de onderdelen (6075 / 6076) door (6100). Hierdoor ontstaat meer ventilatie binnen en wordt de condensatie verminderd.

Fixeer (6100) in het midden van elk veld aan de zijkant m.b.v. schroeven (7349).

AFWERKING

Desgewenst kan de kas aan de randen en tussen de beglazing en de afstandsbusen (6075) of (6076) worden afgedicht met neutrale silicone. Silicone is niet inbegrepen.

Plaats het waarschuwinglabel aan de binnenkant van de kas.

Er is een compleet assortiment accessoires beschikbaar om dit product ten volle te benutten. Voor meer informatie kunt u contact opnemen met uw leverancier.

VEILIGHEIDSREGELS

Sluit bij zware wind altijd alle deuren en ramen.

Houd bij zware sneeuwval het dak van de kas vrij of zorg voor een goede ondersteuning van het dak. Verwarm de kas in de winter.

COMMENTAAR

Voor de gehele bescherming van uw nieuwe kas raden wij u aan om deze op te nemen in uw opstalverzekering. Denk er ook aan dat de kas aan alle bouwweisen moet voldoen en houd ook rekening met de plaats van de kas.

Plak alstublieft de sticker van het kasmodel op het deurprofiel (6014) nadat de kas succesvol is geïnstalleerd. Deze informatie is belangrijk voor het vervangen van onderdelen in de toekomst.

Bewaar deze assemblage-instructies a.u.b. op een veilige plek zodat u deze nog altijd kunt nalezen!

Ons beleid is gebaseerd op het continu verbeteren van onze producten en hierdoor behouden wij ons het recht voor om modellen te veranderen zonder verdere berichtgeving.

1. VENLIGST LÆS DENNE MONTAGEVEJLEDNING INDEN DE GÅR I GANG MED SAMLING AF DERES DRIVHUS.

- Når De arbejder med glas eller polykarbonat, skal De altid bruge handsker. Skarpe kanter kan forårsage skader. Også skarpe kanter eller hjørner på aluminiumsprofiler kan forårsage skader – brug derfor også altid handsker ved montering af disse.
- Dette produkt er konstrueret som et drivhus beregnet til planteavl og er som sådan ikke konstrueret til at være helt tæt, da det er nødvendigt med udluftning bl.a. for at undgå kondensdannelse. Såfremt De ønsker at anvende drivhuset som et "uderum/stue" eller lignende, gør vi udtrykkeligt opmærksom på, at drivhuset ikke er 100 % vandtæt, og at vi ikke påtager os noget ansvar for eventuelle skader på løsøre el. lign., der er anbragt i drivhuset.
- Til montage af dette produkt kræves 2 personer.
- Skulle De få problemer med drivhusmontagen eller med glasisætningen, bedes De sætte Dem i forbindelse med Deres forhandler – anvend ikke vold!
- Den vedlagte selvklebende identifikationsetiket anbringes indvendigt i drivhuset – f.eks. indvendig på døren eller lign. Oplysningerne på etiketten vil gøre det meget lettere for Dem at fremskaffe reservedele, såfremt dette skulle blive aktuelt.

Vi ønsker Dem god arbejdslyst og håber, at De får rigtig mange gode stunder med og i Deres Vitavia drivhus.

Montage

PLACERING

Vælg et solrigt sted, hvor der er mest muligt læ.

VIGTIGT

Før De begynder at samle Deres drivhus/pavillon, kontroller venligst efter indholdsfortegnelsen, at alle dele er medleveret. Tag de enkelte bundter ud af kassen for bedre at kunne kontrollere indholdet. Det er vigtigt ikke at blande de åbnede bundter. Hvis der mangler noget, kontakt venligst Deres forhandler.

NØDVENDIGT VÆRKTØJ

Skruetrækker (stjerne PH2 og PZ2)

Akkuboremaskine med moment

1x10 mm fastnøgle/gaffelnøgle.

1x17 mm fastnøgle/gaffelnøgle

1 målebånd/tommestok, 1 vaterpas, 1 hobbykniv, 1 skævbider, 1 trappestige (1,80 m), 1 Ø 20 mm bor.

VEDLIGEHOLDELSE

Drivhuset bør lejlighedsvis rengøres grundigt med et mildt rengøringsmiddel. Glasset kan rengøres med et hvilket som helst rengøringsmiddel, der ikke skader aluminiumsprofiler eller glasklemmer.

Dørskinnerne bør regelmæssigt rengøres og smøres med stearin/grafitolie.

0. FUNDAMENT

Vigtigt! Sørg for at soklen er vandret, alle vinkler skal være 120°.

Til alle drivhusmodeller fås en galvaniseret stålsokkel som tilbehør.

NB! Skal drivhuset placeres et udsat sted, anbefaler vi, at man borer hul i bundskinnen og stålsoklen og skruer dem sammen med bolte og møtrikker.

Ønsker De selv at bygge et sten eller betonfundament, følg da dimensionerne, som er vist i afsnit 0. Fastgør en trykimprægneret træliste mellem fundamentet og bundskinnen på drivhuset som vist, og benyt 50mm skruer og rawlplugs (ej medleveret).

Ved støbning af fundament bør dette gå ned i

frostfri dybde.

Alle tegninger af drivhuset er set indefra, undtagen de tegninger, hvor der er dobbeltstreg udenom.

Disse er set udefra.

1. SIDER

Placer delene på jorden og bolt dem løst sammen, se (1.1) til (1.6).

Husk at anbringe en ekstra bolt i de lodrette glasprofiler (6022/6013), for senere at kunne montere tværstiver (6003) og skråstiver (6008) som i (1.2), (1.4) og (1.5). Hjørnepladerne (1092) skrues løst på, se (1.6).

Dette trin foretages i alt 5 gange, da VM0010-H2L har 5 identiske sider.

2. SIDE MED DØR

Placer delene på jorden og bolt dem løst sammen, se (2.1) til (2.6).

I de lodrette spær (6022/6013/6005) anbringes 1 ekstra bolt til at kunne fastgøre tværstiver (6004) og skråstiver (6007), se (2.2), (2.4) og (2.5).

3. SAMLING

Saml de seks sider ved hjælp af hjørnesamlingerne (1092) som vist i (3.2), (3.2) og (3.3).

Pres forsigtigt en plastichjørnesamling (6067) med studs til nedløbsrør fast i hvert af de seks hjørner, se (3.4) til (3.6).

Anbring de samlede sider på soklen og monter dem løst sammen med soklen (fastspænding til soklen skal først ske, når De har sat alt glasset i). Når de 6 sider danner 6 vinkler på hver 120° skrues siderne fast sammen.

Spænd til, men uden at overspænde boltene!

4A. KLARGØRING AF TAGET

Næste skridt er klargøring og montering af de første 8 tagfelter.

Læg alle tagprofilerne (6087) på jorden og marker med en blyantstreg på hver profil længdemarkeringmærker som vist i (4.1).

Det er vigtigt at gøre dette omhyggeligt, da tagpladerne i modsat fald ikke vil passe til profilerne. Markeringspunkterne hjælper til med at finde den korrekte længde, som profilerne skal skubbes ind i taghætten.

Monter hjælpeskive (6144) ovenpå den sekskantede indvendige taghætte (6095) ved hjælp af bolt (3001) og møtrik (3002), se (4.2).

Monter tagets hjørneprofiler (6087) ovenpå taghætten (6095), se (4.3) og (4.4).

NB! Tagprofilerne (6087) skal støde an mod hjælpeskive (6144), se (4.3).

Monter tværstiverne (6097), således at de rører hinanden ved blyantsmarkeringerne på (6087), se (4.1), (4.5) og (4.6).

4B. SAMLING AF TAGET

Det er en fordel at være to personer til dette trin.

Nu placeres den under pkt. 4 A. formonterede del af taget på sidevæggene, således at tagprofilerne (6087) forbindes til hver sit hjørne (4.7).

Spænd de midterste tagprofiler (6088) fast på den sekskantede indvendige taghætte (6095), se (4.8). Tagprofiler (6088) forbindes også med tværstiverne (6097), se (4.9) og de øverste vandrette sideprofiler (6072 / 6073), se (4.10).

Fastspænd alle bolte.

Saml den udvendige taghætte ved hjælp af bolt (6052), skive (6061), afstandsøsning (1010) og møtrik (3002) og løft den på plads.

NB! bolt (3001) og møtrik (3002) fjernes nu.

Indvendigt forbindes boltforlænger (6038) med bolt (6052). Derefter fastgøres dæksel (6099) ved hjælp af skive (6061) og bolt (6059), se (4.11).

5L. OG 5R. DØR

NB! Undgå at stille de samlede døre på dørgliderne.

Placer delene på jorden som vist på den store tegning.

I hver profil (6085) / (6086) anbringes 6 bolte.

Tryk gummilisten(6089) fast på profil (6085) / (6086) som vist i (5.1) og tilpas den med en kniv/skævbider i længden.

Monter løst profil (6017) på dørprofil (6085) / (6086) med de tidligere anbragte bolte som vist i (5.2). De to midterste bolte skal senere anvendes til at fastspænde profil (6140 / 6141).

Anbring dernæst det nederste glasstykke B og monter derefter profil (6141 ved 5L) / (6140 ved 5R) på dørprofil (6085) / (6086), se (5.3) (5.4).

Sørg for, at profilerne (6014) / (6141) og (6140) støder an mod profil (6085) / (6086).

Fastgør låsedelene (6143), (7400) og (7401) til det midterste vandrette dørprofil døren (6140) eller (6141) ved hjælp af bolte (6142).

Dernæst ilægges det øverste stykke glas A og profil (6014) boltes sammen med dørprofilerne (6085) / (6086), se (5.5).

Glasskiverne fastgøres med plasticlisterne (6500), se (5.6).

Kontroller, at døren er i vinkel ved at tage diagonalmålene og efterspænd først derefter alle bolte i døren.

De to plasticdørstyr (6057) monteres på (6014) med skruer (6062) som vist i (5.5).

Dørhjulene (6049) og dørholdere (6039) boltes løst på profil (6017) ved hjælp af bolt (6046), skive (6051) og møtrik (3002) som vist i (5.2). Disse skal først spændes helt fast, når dørene er monteret.

Gentag fremgangsmåden med den anden dør.

6. SIDEVINDUE

Vinduetts placering afhænger af hullernes placering i det øverste vandrette spær (6072).

Først monteres gummilisten (6034) på glasset som vist i (6.1). Gummilisten er lettest at montere, hvis den har stuetemperatur. Start med at montere gummilisten midt på den nederste glaskant (6.1). Undgå at trække i gummilisten.

Med en skævbider laves et snit i hvert hjørne (6.2), så gummilisten kan monteres rundt om hjørnerne.

Den nederste vinduesprofil (6024) monteres på gummilisten som vist i (6.3). Derefter på sideprofilerne (6020) og (6021).

Hjørnerne samles ved hjælp af bolt (1008), se (6.4).

Gummilisten tilpasses med en hobbykniv i længden, så enderne støder sammen på overkanten af vinduet.

Sideprofilerne (6020/6021) boltes sammen med den øverste vinduesprofil (6025) med skrue (1008), se (6.5). Den øverste vinduesprofil (6025) monteres sidst.

NB! Inden boltene spændes kontrolleres, at vinduet er i vinkel ved at sørge for, at diagonalmålene er ens.

Forbind løst profil (6066) med bolt (3001) til tagrendeprofil (6072) ved at anvende de forborede huller, se (6.6).

Vinduesbundskinnen monteres. For at kunne gøre dette, må profil (6003) og skråstiver (6008) midlertidigt afmonteres for at kunne montere profil (6019) bag denne, se (6.7). Derefter monteres først profil (6003) og derefter skråstiver (6008) igen uden at stramme for meget, se (6.6) og (6.7). Skal først spændes til, når vinduet er monteret i drivhuset.

Disse trin gentages for de to andre vinduer.

7A. MONTERING AF GLAS / POLYCARBONAT I TAGET

NB! BEMÆRK VENLIGST OVENNÆVNTE SIKKERHEDFORANSTALTNINGER.

Såfremt De har valgt en model med glas i taget, starter De med at trykke gummiliste (6090) på aluminiumsprofilerne og skære gummilisten til i rette længde.

Såfremt De har valgt polycarbonatplader til taget undlades det at montere gummilisterne på tagprofilerne.

Vigtigt! Den UV-bestandige side på polycarbonatpladerne er markeret med en folie. Denne side skal vende udad. Fjern folien. Det anbefales at være to personer til montering af glas/polycarbonat i taget. Den ene person står på en trappestige inde i huset, medens den anden personer monterer glas/polycarbonat udefra. Tagpladerne (D), (E) og (F) monteres ved at lade dem glide opad i sporene i tagprofilerne (6087) og (6088) som vist i (7.2) og (7.3).

Når tilstødende plader (D), (E) og (F) i en tagsektion er på plads, fastgøres enderne (6077), (6078) og (6079) ved hjælp af skruer (7349), se (7.4), for at forhindre pladerne i at glide ud af sporet.

Monter tagremsforstærkning (6074) på tagremmen (6072) / (6073) ved at placere 3 skruer (6068) med lige stor afstand, således at glasset/ polycarbonatpladerne i taget ikke kan glide ned i tagremmen (6074) som vist i (7.6) og (7.7).

7B. MONTERING AF GLAS I SIDERNE

Tryk gummiliste (6090) på alle lodrette sideprofiler (6013) og (6022), se (7.8) og skær gummilisten til i rette længde.

Monter glassene (G), (H) og (J) ved hjælp af monteringslisterne (6500) som vist i (7.9) og (7.10).

Det anbefales at være to personer til at foretage glasmontagen. Den ene person holder glasset, medens den anden monterer listerne.

Det fremgår af tabel (7.1), hvilke lister og hvilke glasmål, der skal anvendes i de forskellige sektioner.

For at få glasset under vinduerne på plads er det nødvendigt midlertidigt at løfte karmen (6019) for at få glasset på plads. Pres fastgørelsesliste (6500) fast på begge sider. Sæt derefter karmen på plads igen og spænd indvendigt.

Nu strammes alle bolte, der fastgør konstruktionen til underlaget/soklen.

8. MONTERING AF VINDUER OG DØRE

Monter vinduerne i de forborede huller ved løse drivhusramme (6066) og lade (6025) glide ind i drivhusrammen (6066). Derefter skydes det færdigsamlede vindue sideværts på plads som vist i (8.1/8.2).

Når vinduet er korrekt placeret, strammes alle møtrikker.

Monter udskyderstangen (1067) på nederste vinduesprofil (6024) ved hjælp af skruer (6062) som i (8.3).

Skub gummihætten (1019) på enden af udskyderstangen (1067). Monter begge pløkker (6056) på underkarmen med skruer (6062) som i (8.3).

Anbring dørene ved at skubbe dørstyr (6057) ind i profil (6074), se (8.4) og (8.5) og lad dørhjulene gå ned på køreskinnen (6002), se (8.6).

Anbring dørholderne (6039) således, at de går ind under køreskinnerne (6002) og fastspænd dem derefter ved at spænde dørhjulboltene (6046), se (8.6) (8.7). Her kan med fordel anvendes skruetrækker PZ2 til at danne modhold på den udvendige side.

Juster hjulskinnerne, så dørene kører let.

Anbring dækhætter (6070) på alle synlige møtrikker (3002) inde i huset (8.8). Monter nedløbsrør/bøjning (1402) på nedløbsrøret (1415). Anbring et samlet nedløbsrør (1402 og 1415) i hvert andet hjørne i plastichjørnesamlingerne (6067). Fastgør klembeslag (1414) til hjørnestolpe (6022) ved bøjningen (1402) og spænd skrue (1006) fast i det forborede hul i (1414), se (8.10). Anvend et Ø 20 mm bor til at lave et drænhul ved markeringen i hver af de tre plastichjørnesamlinger (6067). Indvendigt i drivhuset anbringes afstandsstykker (6075) eller (6076) ved at lade disse glide ned på tagrem (6072) / (6073). Fastgør afstandsstykkerne midt på tagremmen ved hjælp af skrue (7349), se (8.11) og (8.12).

* **NB!** Kondensdannelse kan ikke helt undgås i et drivhus med polycarbonat, men kondensdannelsen kan reduceres ved at udskifte kode (6075 / 6076) med kode (6100). Dette vil forøge luftcirkulationen og dermed reducere kondensdannelse.

Anbring en (6100) i midten af hver sektion ved hjælp af skrue (7349).

FÆRDIGGØRELSE

Såfremt De har gravet/boret huller til nedstøbning af soklens nedstøbningsbeslag fyldes cement/ beton i hullerne.

Hvis De ønsker at gøre Deres drivhus helt tæt, anvend silikone (ikke inkluderet) i alle hjørner og samlinger samt ved afstandsør og skiver (6075) og (6076).

Hos Deres drivhusforhandler kan De købe ekstra tilbehør, der passer til dette drivhus. Tilbehøret kan ses på vor hjemmeside www.vitavia.dk.

SIKKERHEDSANVISNING

I tilfælde af stormvarsel, luk alle oplukkelige vinduer og døre.

I tilfælde af kraftigt snefald, ryd drivhusets tag og træf passende foranstaltninger til at understøtte taget.

ANMÆRKNINGER

Vi anbefaler, at De sørger for, at Deres husforsikring også dækker Deres drivhus. Overhold alle byggevedtægter. Kontakt Teknisk Forvaltning i Deres kommune, hvis De er i tvivl.

Den vedlagte selvklæbende identifikationsetiket anbringes indvendigt i drivhuset – f.eks. indvendigt på døren eller lign. Oplysningerne på etiketten vil gøre det meget lettere for Dem at fremskaffe reservedele, såfremt dette skulle blive aktuelt. Typebetegnelsen skal De bruge ved bestilling af evt. reservedele, så venligst opbevar montagevejledningen til senere brug.

Vi forbeholder os ret til uden varsel at foretage løbende produktjusteringer. På vor hjemmeside www.vitavia.dk vil De altid kunne downloade den nyeste manual, som derfor kan afvige lidt fra Deres produkt. Manualens udgave kan identificeres ved hjælp af den talkode, der er trykt nederst på hver side i manualen.

Alle målangivelser er ca.-mål.

Vi ønsker Dem god arbejdslyst og håber, at De får rigtig mange gode stunder med og i Deres Vitavia drivhus.

1. LÄS IGENOM MONTERINGSANVISNINGEN INNAN NI Börjar MONTERA VÄXTHUSET.

- När man hanterar glas eller polykarbonat skall man alltid använda handskar. Vassa kanter kan försaka skador. Vassa kanter eller hörn på aluminiumprofilerna kan också försaka skador, använd därför även handskar vid montering av dessa.
- Denna produkt är konstruerad för att vara ett växthus och har inte en helt tät konstruktion eftersom det är viktigt med luftgenomströmning för att undvika kondenser.

Om ni önskar använda växthuset som uterum eller liknande, vill vi göra er uppmärksam på att växthuset inte är 100% vattentätt och att vi inte tar på oss något ansvar för skador på eventuellt lösöre som är placerat i växthuset.

- Det krävs två personer för att montera detta växthus.
- Om det skulle visa sig svårt att montera växthuset eller att sätta i glaset eller polykarbonatet, skall råd begäras av växthuset återförsäljare. - **Bruka ej våld.**
- Växthuset måste förankras.

Monteringsanvisning

VAL AV PLATS – Viktigt

Välj en solig plats för växthuset, med så mycket skydd mot vinden som möjligt. Vid stark vind stäng alla fönster och dörrar.

MONTERING – Viktigt

Kontrollera före monteringen att alla delar finns med enligt innehållsförteckningen.

Blanda inte ihop de olika paketen i kartongen.

Saknas någon detalj meddela oss genast innan montering påbörjas.

VERKTYG

Vanlig skruvmejsel och stjärnmejsel (PH2 och PZ2), 10 mm nyckel eller skiftnyckel, 20mm borr, bormaskin med moment, tumstock, vattenpass, morakniv samt stege.

UNDERHÅLL

Tvätta växthuset före varje säsong invändigt med ett mildt rengöringsmedel som inte påverkar aluminium eller glasclips och hållare. Håll övre och nedre dörrspåren rena så att dörren löper som den skall.

OBS! Behåll den här monteringsanvisningen för framtida bruk.

0. FUNDAMENT

Se till att fundamentet är stadigt, i våg och att alla vinklar är 120°.

Det finns en färdig sockel att köpa till samtliga växthus.

Skall växthuset placeras på ett utsatt ställe rekommenderar vi att man borrar hål i bottenprofilen och skruvar ihop den med sockeln med hjälp av bult och mutter.

Om du önskar bygga ett eget fundament eller gjuta en sockel föreslår vi att du följer dimensionerna som visas i avsnitt 0.

Fäst en tryckimpregnerad trälist mellan fundamentet och bottenprofilen på växthuset som visas och använd 50 mm expanderplugg/

spikplugg (medföljer ej) Plintar bör grävas ned till frostfritt djup.

ALLA TECKNINGAR AV VÄXTHUSET ÄR VISADE FRÅN INSIDAN FÖRUTOM DE SOM HAR DUBBLA RAMAR SOM ÄR SEDDA UTIFRÅN.

1. SIDOR

Lägg ut detaljerna på marken och fäst dem löst med bult och mutter. Se (1.1) till (1.6)

Kom ihåg att föra in extra bult i de lodräta glasprofilerna (6022/6013) för att senare kunna montera de vågräta strävorna (6003) samt de diagonala strävorna (6008) som i (1.2) och (1.4) och (1.5).

Hörnplattorna (1092) skruvas på löst. Se (1.6) Detta förfarande återupprepas 5 gånger för att få 5 sidor.

2. DÖRRSIDA

Lägg ut detaljerna på marken och fäst dem löst med bult och mutter. Se (2.1) till (2.6) För in en extra bult i de lodräta profilerna (6022/6013/6005) för att fästa den vågräta strävan (6004) samt den diagonala strävan (6007) se (2.2) (2.4) samt (2.5).

3. MONTERING

Montera ihop de sex sidorna som visat i (3.1/3.2/3.3). Hörnplattorna monteras som visas i (3.3).

För ned hörnstolpsförstärkning (6067) i varje hörnstolpe (3.4 – 3.6)

Lyft upp konstruktionen på sockeln och kontrollera att samtliga vinklar mäter 120° . Fäst konstruktionen i sockeln. Dra åt samtliga skruvar i konstruktionen men DRAG EJ ÅT DEM FÖR HÄRT.

4A. TAKET

Nästa steg är att montera de första 8 sektionerna på taket. Lägg alla takprofiler (6087) på marken och markera på varje profil med en blyertspenna längdmarkeringarna som visat i (4.1).

Det är viktigt att göra detta noggrant annars passar inte polyskivorna. Markeringspunkterna kommer att göra det möjligt att veta hur långt profilerna skall skjutas in i "hatten".

Montera hjälpskivan (6144) ovanpå den 6-kantiga invändiga "hatten" med hjälp av bult (3001) och mutter (3002), se (4.2).

Montera takets hörnprofiler (6087) ovanpå inner hatten (6095) Se (4.3) och (4.4).

OBS! Takprofilerna (6087) skall ligga mot hjälpskivan (6144) se (4.3).

Fäst nu tvärstag (6097) i takprofilerna (6087) de skall gå emot varandra i 6087 vid blyertsmarkeringarna, se (4.1), (4.5) och (4.6).

4B. MONTERING AV TAKET

Det är en fördel att vara två vid montering av taket.

Lyft taket som monterats under 4A på plats och se till att få hörnprofilerna (6087) över växthuset hörnprofiler (6022). Se (4.7).

Fäst nu de mellanliggande takprofilerna (6088) på innerhatten (6095) se (4.8). Fäst dem även på tvärstaget (6097) se (4.9) samt i de vågräta översta sidoprofilerna (6072/6073), se (4.10).

Montera den utvändiga takhatten (6036) med hjälp av bult (6052), bricka (6061) distans (6054) och mutter (3002) och lyft den på plats.

OBS! Tag nu bort hjälpskivan (6144) samt dess bult och mutter.

Invändigt förbinds nu bultförlängaren (6038) med hjälp av bult (6052). Därefter gör man fast skyddet (6099) med hjälp av bricka (6061) och bult (6059). Se (4.11).

5L OCH R.DÖRR

OBS! Undvik att ställa dörren på dörrhjul.

Placera delarna på marken enligt den stora ritningen. För in 6 bultar (3001) i de lodräta profilerna (6085) / (6086).

Tryck i gummilisten (6089) i profilerna (6085) / (6086) som visas i (5.1) och skär av dem i lagom längd.

Fäst den nedersta profilen (6017) på de

lodräta profilerna (6085) / (6086) löst med hjälp av de tidigare införda bultarna (5.2).

Se till att profilen (6017) hamnar med sitt spår på rätt ställe mot (6085) / (6086) för att få rätt överhäng på dörren.

Lägg nu i glasskivan (B) och montera där efter profil (6140 höger dörr) (6141, vänster dörr) på den lodräta profilen (6085) / (6086) med hjälp av den tidigare införda bulten (3001) samt mutter (3002), se (5.3) (5.4).

Se till att de vågräta profilerna sitter tätt mot de lodräta profilerna (6086).

Montera låsdelaren (6131), (7400) och (7401) med hjälp av bult (6142) på de vågräta profilerna (6140/6141). Se (5.3).

Lägg dit den översta glasskiva (A) och profil (6014) Fäst den på samma sätt enligt (5.5).

Fäst glasskivorna med hjälp av plastlist (6500), se (5.6).

Kontrollera att dörren är rätvinklig och drag sedan åt samtliga skruvar.

Fäst dörrstyrningarna (6057) på profil (6014) med skruv (6062) (5.5).

Fäst dörrhjulen (6049) och clips (6039) på nedersta profilen (6017) med bult (6046), bricka (6051) och mutter (3002) (5.2).

Drag inte åt dem för hårt förän dörren är monterad i växthuset.

Montera nu nästa dörr på samma sätt.

6. SIDOFÖNSTER

Sidofönstren kan bara monteras där det finns förborrade hål i takfotsprofilerna (6072).

Notera! Det är enklare att montera gummilisten om den är värmd till rumstemperatur.

Sätt först på gummilist (6034) på glasrutan som visas i (6.1). Gummilisten är lättast att montera om den har rumstemperatur. Börja med att fästa gummilisten på underkanten av glaset (6.1), **sträck ej listan**.

Skär ett snitt i varje hörn med en vass kniv enligt (6.2) så att listan kan träs runt hörnen.

Sätt på den understa profilen (6024) på gummilisten som visas i (6.3). Man kan behöva använda en gummiklubba.

Montera sedan på sidoprofilerna (6020) och (6021) med skruv (1008) se (6.4) skär till gummilisten i rätt längd med skarven på mitten av ovansidan av luckan och sätt sedan på den översta profilen (6025) och fäst den med skruv (1008) se (6.5).

Kontrollera att fönstret är i vinkel och att diagonalmåtten är lika innan skruvarna dras åt.

Montera fast profil (6066) löst med skruv (3001) i profil (6072) i växthuset genom att använda de förborrade hålen.

Lossa den vågräta profilen (6003) och den diagonala sträven (6008) och fäst

fönsterkarmen (6019) bakom dessa enligt (6.7). Skruva fast (6003) och (6008) igen med mutter(3002) (6.7) och (6.8). Drag ej åt för hårt.

Upprepa nu samma procedur för de andra två fönstren.

Fönstren sätts i först efter att du glasat klart.

7A. MONTERING AV POLYKARBONAT I TAKET

OBSERVERA DE TIDIGARE BESKRIVNA SÄKERHETS FÖRESKRIFTERANA!

Det skall ej sitta gummilist i taket.

Viktigt! Se till att den UV-beständiga sidan på polykarbonatet hamnar på utsidan av taket.

Med en person på stege på insidan av växthuset och en på utsidan monteras takskivor (D), (E) och (F) genom att man låter dem glida uppåt i aluminiumprofilerna (6087) och (6088) som visas i (7.2) och (7.3)

När panerlerna är på plats, fäst dem med hjälp av (6077), (6078) och (6079) med skruv (7349) enligt (7.4) så att de ej glider ut. Fäst takfotsförstärkning (6074) på takfotsprofiler (6072)/(6073) och fäst dem med skruvar (6068) med jämna mellanrum Se (7.6) (7.7).

Är det svårt att få dit polyskivorna så kontrollera att profilerna är rättmonterade på innerhatten (6035).

7B. MONTERING AV SIDOGLASET

Börja med att fästa gummilist (6090) på samtliga lodräta sidoprofiler (6013) och (6022) se (7.8) och kapa dem i rätt längd.

Glaset monteras utifrån. Montera glas (G), (H) och (J) med hjälp av monteringslister (6500) som visas i (7.9) och (7.10) Det underlättar att vara två personer vid glasning. En håller i glaset och den andra fäster listerna. Av tabellen (7.1) framgår vilken list och vilket glas som skall sitta var.

För att få glasskivan under fönstersyllen på plats kan det vara nödvändigt att lossa lite på den (6019), sätta dit listerna (6500) och sedan sätta tillbaka den på plats och dra åt muttern ordentligt.

När du glasat färdigt är det dags att dra åt samtliga skruvar ordentligt och fästa växthuset i sin sockel.

8. FÖNSTER OCH DÖRRAR

Lyft fönstren på plats i sidorna genom att lossa (6066) – monterade i sekt 6 – och för in (6025) in i, (6066) från ena änden (8.1) och (8.2).

Lätta på fönsterkarmen (6019) och fäst den på fönstren.

Drag åt alla skruvarna.

Montera dit fönsterarmen (1067) på den understa fönsterprofilen (6024) med hjälp av skruv (6062) som visas i (8.3). Sätt på gummihattan på änden på armen. Fäst nu hakarna (6056) i fönstersyllen (6019) med skruv (6062) se (8.3).

Häng upp dörrarna genom att stoppa in dörrstyrningarna (6057) in i takfotsförstärkningen (6074), se (8.4) och låt sedan dörr-hjulen falla ned på glidskenan (6002) se (8.6) Haka fast dörr styrningarna (6039) under läppen på glidskenan (6002) och spänn sedan skruvarna på dörrhjulen (6046) se (8.6) (8.7).

Justera hjulskenor så att dörrarna glider lätt.

Fäst mutterskydden (6070) genom att trycka fast dem på alla synliga muttrar på insidan av huset.

Fäst stuprörsböjen (1402) på stupröret (1415). Fäst stuprörseten i 3 hörn av växthuset (långt ifrån varandra) på förstärkning (6067) se (8.9). Haka fast klämman (1414) på hörnstolpen (6022) i höjd med böjen på stupröret, fäst den med skruv (1006) i det förborrade hålet. Använd borsten och borra 3 dräneringshål i de 3 förstärkningarna (6067) på de markerade ställena.

På insidan skall nu glasningsdistans (6075) eller (6076) föras på takfotsprofil (6072) / (6073).

Fäst dem centrerat i takfotsprofilen med skruv (7349). Se (8.11) och (8.12).

* **OBS!** Bildandet av kondens är oundvikligt i ett växthus med polykarbonat plattor, men kondensbildning kan minskas genom att ersätta kode (6075 / 6076) med kode (6100). Detta kommer att öka luftcirkulationen, och därmed minska kondensbildningen. Placera en (6100) i mitten av varje avsnitt med skruven (7349).

FÄRDIGSTÄLLNING

Om önskat är det möjligt att isolera växthuset i skarvarna och mellan glasningsdistansen (6075 / 6076) och glaset med neutralt silikon. (Silikon medföljer ej)

Fäst varningsdekalen på insidan av växthuset.

Ett stort sortiment tillbehör för att få ut det mesta av ert växthus finns hos er återförsäljare.

SÄKERHETSANVISNING

Vid kraftig vind eller storm skall samtliga fönster och dörrar stängas ordentligt. Om nödvändigt kan automatiska öppnare monteras bort tillfälligt.

Vid kraftigt snöfall skall taket hållas fritt från snö. Eventuellt kan taket behöva stötts.

Fäst dekalen med växthusinformation på dörrens övre profil om delar skulle behöva beställas i framtiden.

Spar gärna denna manual.

Vi föreslår att växthuset ingår i hemförsäkringen.

Vi förbehåller oss rätten att löpande ändra produktförbättringar och ändringar av specifikationer. Den senaste monteringsanvisningen kan alltid laddas ned från www.vitavia.dk.

Turvallisuusvaroitukset

- LUE NÄMÄ OHJEET HUOLELLISESTI JA KOKONAAN ENNEN KASVIHUONEEN ASENNUSTA.**
- Terävät reunat ja kulmat voivat aiheuttaa vammoja. Käytä aina suojalaseja, käsineitä, kenkiä ja päähinettä käsiteltäessä alumiiniprofiileja, lasija polykarbonaattilevyjä. Lasinsirpaleet ovat turvallisuusrisi – siivoa ne aina heti pois ja hävitä huolellisesti.
- Ostamasi tuote on tarkoitettu ainoastaan kasvien kasvattamiseen ja sitä tulee käyttää vain tähän tarkoitukseen. Jos tuotetta käytetään tarkoituksen vastaisesti tai väärin, valmistaja ei ota vastuuta mahdollisista vahingoista.
- On suositeltavaa, että kaksi henkilöä on kokoamassa tätä kasvihuonetta.
- Käytettäessä askeltikkaita toisen henkilön tulisi tukea sitä aina toisen henkilön työskennellessä.
- Vaikeuksien ilmetessä tämän kasvihuoneen kokoamisessa, tai lasi- tai polykarbonaattilevyjä kiinnitettäessä, ota yhteyttä jälleenmyyjään. **Älä käytä voimaa!**
- Kasvihuone on aina ankkuroitava.

Kokoonpano-ohjeet

PAIKAN VALINTA

Yritä aina valita mahdollisimman aurinkoinen ja tuulensuojainen paikka.

TÄRKEÄÄ

Ennen uuden kasvihuoneen kokoamista, tarkista, että kaikki pakkausluettelossa mainitut osat ovat mukana. Ota kukin nippu pois pakkauksesta, jotta osat voidaan tunnistaa paremmin.

On tärkeää, että avatut niput eivät sekoitu keskenään.

Jonkin osan puuttuessa, ota yhteys jälleenmyyjään.

TARVITAVAT TYÖ KALUT

Ruuvimeisseleitä (tavallinen ja ristipää PH2), 10 mm ja 17 mm:n kiintoavain, 10 mm:n yhdistelmäavain 1,8 m:n askeltikkaat, askarteluveitsi, metrimitta, vesivaaka, Ø 20 mm:n pora, akkuporakone, jossa on momentinsäätö.

KUNNOSSAPITO

Kasvihuone tulee pestä kunnolla silloin tällöin miedolla pesuaineella. Tarkista, että pesuaine ei reagoi aggressiivisesti alumiiniin tai lasin kiinnikkeisiin.

Varmista, että ylemmät ja alemmat ovikiskot puhdistetaan säännöllisesti, jotta vältetään lian kerääntyminen.

0. PERUSTUS

Tärkeää! Perustuksen tulee olla suora ja asainen. Sinkitty terässokkeli on saatavana lisävarusteena kaikkiin kasvihuonemalleihin.

(Huomio!) Vain kun kasvihuone on sijoitettava hyvin tuuliseen ja suojattomaan paikkaan: Pora kasvihuoneen pohjaprofiiliin ja terässokkelin läpi ja yhdistä ne ruuvein ja mutterein.)

Halutessasi mieluummin rakentaa oman kivitai betoniperustuksen, noudata kaaviossa 0 esitettyjä mittoja.

Käsitellyt puupalkit, vähintään 18 mm paksuja

ja enintään 32 mm leveitä, pitäisi asentaa kivi-/betoniperustan ja alumiinirungon väliin (A-A). Sillä puolella, jossa ovi tulee sijaitsemaan, käytä enintään 52 mm leveää käsiteltyä puupalkkia (B-B). Yhdistä puupalkit pohjaan 50 mm:n pituisilla pulteilla (ei sis. toimitukseen).

Perustan tulee ulottua maassa routarajan alapuolelle.

kaaviot yksinkertaisessa kehyksessä esittävät näkymän kasvihuoneen sisäpuolelta. kaaviot ympäröitynä kaksinkertaisella kehyksellä esittävät näkymän kasvihuoneen ulkopuolelta.

1. SIVUOSAT

Aseta kaikki osat lattialle ja yhdistä ne löysästi. (1.1) – (1.6)

Huomautus! Kaikkien pultinpäiden täytyy liukua pulttikanaviin kussakin pystypalkissa. Toista muilla 4 ovettomalla sivulla.

2. SIVUOSA – OVI

Aseta kaikki osat lattialle ja yhdistä ne löysästi, (2.1) – (2.6).

3. SIVUOSIEN YHDISTÄMINEN

Kiinnitä 6 sivuosaa yhteen käyttäen nurkkalevyjä (1092), (3.1) – (3.3). Työnnä varovasti muoviset räystäään päät (6067) räystäiden sisään kussakin kulmassa, (3.4) – (3.6).

Nyt sijoita kehyksesi valmistetulle pohjalle/perustalle ja yhdistä löysästi. (Kirstä nämä pultit vasta kun kasvihuone on lasitettu.) Säädä runkoa kunnes se on suorakulmainen ja pystysuora ja kirstä sivuja yhdistävät pultit. **Älä kirstä liikaa.**

4A. KATTO

Aseta kaikki kattopalkit (6087) maahan, ja

erkitse ne tarkasti kynällä, kuten esitetty kuvassa (4.1).

Nämä merkit ovat tärkeitä varmistettaessa, että lasilevyt sopivat myöhemmin.

Liitä kokoonpanon apulevy (6144) kuusikulmaiseen kartioon (6095) käyttäen pulttia (3001) ja mutteria (3002) (4.2).

Asenna kattopalkit (6087) kartion päälle (6095) (4.3) (4.4).

Huomaa: suoran leikatun reunan (6087) pitäisi koskettaa levyä (6144) (4.3).

Kirstä kaikki pultit.

Kytke rengaspalkki (6097) liitoskohdan reunaan merkillä (1055 mm) (4.5) (4.6).

4B. KATTO

Kahden henkilön pitäisi nostaa kokoonpano katoksi.

Yhdistä kattopalkit (6087) kuhunkin nurkkaan (4.7).

Käyttämällä askeltikkaita yhdistä katon keskipalkit (6088) kuusikulmaiseen kartioon (6095) (4.8), rengaspalkkiin (6097) (4.9) ja räystäsprofiiliin (6072) / (6073) (4.10). Kirstä kaikki pultit.

Kokoa ulompi kartio (6036) pultilla (6052), aluslevyllä (6061), välikkeellä (1010) ja mutterilla (3002) ja nosta paikalleen.

Huomautus: Pultti (3001) ja mutteri (3002), jotka yhdistävät levyn (6144) on poistettava tässä vaiheessa. Sisäpuolella, yhdistä pultin pidennys (6038) pulttiin (6052) ja liitä sitten kansi (6099) kohteeseen (6038) käyttäen aluslevyä (6061) ja pulttia (6059) (4.11).

5L. JA 5R. OVET

Aseta pystysuorat ovipalkit (6085) / (6086) maahan, ja valmistele 6 pulttia (3001) kuhunkin pulttikanavaan.

Paina lasitustiivisteet (6089) kohteeseen (6085) / (6086) (5.1) ja katkaise oikeaan

pituuteensa.

Liitä kohde (6017) palkkeihin (6085) / (6086) käyttäen valmisteltuja ääripultteja (5.2).

Muista asettaa riviin palkkien alareunat (6085) / (6086), joissa on ura alapalkin edessä (6017) kuten esitetty. Näin varmistetaan, että alapalkin oikea ylitys saavutetaan.

Aseta alempi lasi (B) ja sitten keskipalkki (6140) tai (6141) kohteeseen (6085) / (6086) (5.3) (5.4).

Kokoa lukon osat (6143), (7400) ja (7401) pulteilla (6142) keskipalkkien päälle (6140) tai (6141) (5.3).

Lopuksi aseta ylempi lasi (A) ja liitä (6014) käyttämällä kahta viimeistä valmista pulttia (5.5).

Kiinnitä lasi molemmin puolin muovisin kiinnitysluskoin (6500) (5.6).

Varmista, että ovi on täysin suorakulmainen ennen kaikkien pulttien kiristämistä. Tämä voidaan tehdä mittaamalla lävistäjät.

Liitä muoviset oven ohjaimet (6057) palkkiin (6014) ruuveilla (6062) (5.5).

Liitä löyhästi ovipyörät (6049) ja oven hyppypidikkeet (6039) alapalkkiin (6017) käyttäen pulttia (6046), aluslevyjä (6051) ja mutteria (3002) (5.2). Nämä tulee kiristää, kun ovi on myöhemmin kiinnitetään rakennelmaan.

Toista molemmille oville ja aseta ne sivuun myöhempää käyttöä varten.

6. TUULETUSLUUKUT

Tuuletusluukkujen sijainnin määräävät äystäsprofiiliin (6072) esiporatut reiät.

Huomautus! Lämmitä ikkunatiiviste (6034) huonelämpötilaan! Paina tiiviste (6034) keskitetyksi lasin yläreunan päälle (C) (6.1). **Älä venytä.**

Tee viilto tiivisteeseen nurkassa (6.2) ja paina tiiviste kiinni lasin sivuun ja alareunoihin (C), leikaten sopimaan kunkin nurkan ympäri.

Kiinnitä tuuletusluukun alapalkki (6024) tiivisteeseen (6.3) yli ja sitten sivupalkkien (6020) ja

(6021) yli. Yhdistä nämä nurkissa ruuveilla (1008) (6.4).

Viimeistele painamalla tiiviste yläreunan päälle ja katkaise keskellä. Asenna tuuletusluukun yläpalkki (6025) ja yhdistä sivupalkkeihin (6020) ja (6021) ruuveilla (1008) (6.5).

Varmista, että tuuletusluukun kehys on täysin

suorakulmainen ennen kaikkien ruuvien kiristämistä.

Yhdistä löyhästi palkki (6066) käyttäen pulttia (3001) räystäsprofiiliin (6072) käyttäen esiporatettuja reikiä (6.6).

Poista sivutuki (6003) ja vinotuki (6008) kiinnittäaksesi tuuletusluukun alakarmin (6019) niiden taakse (6.7). Asenna (6003) ja sitten (6008) takaisin, yhdistettynä löyhästi mutterilla (3002) (6.7) (6.8). Kiristä vasta kun katon tuuletusluukku on asennettu rakennelmaan.

Toista sama jokaisella tuuletusluukulla ja aseta ne sivuun myöhempää käyttöä varten.

7. LASITUS

Huomaa jo mainitut turvatoimet.

Varmista, että kaikkien polykarbonaattilevyjen UV-suojattu sivu on ulkopuolella.

(D), (E) ja (F) oikeisiin ohjaimiin kattopalkeissa (6087) ja (6088) (7.2) (7.3). Kun viereiset uudet ovat paikallaan liitä päät (6077), (6078) tai (6079) ruuveilla (7349) (7.4), jotta ne eivät liukuisi pois ohjaimista.

Sijoita oven ohjainpalkki (6074) räystäsprofiiliin (6072) / (6073) ja kiinnitä paikoilleen 3 tasavälisin ruuvein (6068) (7.6) (7.7).

Paina lasitustiivisteet (6090) kaikkiin sivupalkkeihin (6013) ja (6022) (7.8) ja leikkaa oikeaan pituuteensa. Asenna lasituslevyt (G), (H) ja (J) kuten esitetty ja kiinnitä painamalla muoviset kiinnitysluskat (6500) kumpaankin puoleen (7.9) ja (7.10).

Nyt kiristä pultit, jotka yhdistävät kasvihuoneen perustuksiin.

8. TUULETUSLUUKKIJEN JA OVIEEN ASENNUS

Nosta tuuletusluukut valmisteltuihin paikkoihin sivuilla löysäämällä palkkia (6066) ja työntämällä palkkia (6025) sisälle palkkiin (6066) toisesta päästä (8.1) ja (8.2). Nosta tuuletusluukun alakarmia (6019) ja kiinnitä se luukun kehukseen. Oikein tehdyn sijoittelun jälkeen kiristä kaikki sisäpuolen pultit.

Kiinnitä luukun avauslaite (1067) palkkiin (6024) ruuveilla (6062) (8.3).

Yhdistä molemmat tuuletusluukun pidättimet (6056) alakarmiin (6019) ruuveilla (6062) (8.3). Aseta muovinen suojuus (1019) ikkunan avauslaitteen (1067) päälle yli (8.3).

Sijoita ovet työntämällä muoviset oven ohjaimet (6057) palkkiin (6074) (8.4) (8.5) ja sitten laske pyörät palkissa (6002) olevaan raiteeseen (8.6). Kiinnitä oven hyppypidikkeet (6039) palkissa (6002) olevan reunan alle ja kiristä oven pyöränruuvit (6046) (8.6) (8.7).

Asenna muoviset mutterinsuojukset (6070)

työntämällä ne kaikkiin näkyviin muttereihin (3002) kasvihuoneen sisällä (8.8).

Yhdistä syöksyputken mutka (1402) syöksyputkeen (1415). 3:ssa ei-vierekkäisessä kulmassa, yhdistä syöksyputken kokoonpano (1402) / (1415) räystäään päihin (6067) (8.9). Kiinnitä kiinnike (1414) nurkkapalkkeihin (6022) mutkan (1402) korkeudella ja aseta ruuvi (1006) esiporatettuun reikään (1414) (8.10). Tee \varnothing 20 mm:n poralla vedenpoistoaukot 3 räystäään päähän (6067) merkittyihin paikkoihin.

Kasvihuoneen sisällä työnnä lasituksen välilevyt (6075) tai (6076) räystäsprofiilien (6072) / (6073) päälle. Kiinnitä nämä räystäsprofiiliin (6072) keskitetysti ruuveilla (7349). (8.11) (8.12).

* **Huomaa:** Kondenssiveden muodostumista ei voida välttää kasvihuoneessa, jossa on polykarbonaattilevyt, mutta sitä voidaan vähentää vaihtamalla osat (6075/6076) osaan (6100). Tämä lisää ilmanvaihtoa sisällä vähentäen siten tiivistymistä. Kiinnitä yksi (6100) räystäään jokaisen kentän keskelle ruuveilla (7349).

VIIMEISTELY

Haluttaessa on mahdollista tiivistää kasvihuone reunoista sekä lasituksen ja välilevyjen (6075) tai (6076) väliä käyttäen neutraalia silikonia. Silikoni ei sisälly toimitukseen.

Kiinnitä varoitusarra kasvihuoneen sisälle.

Runsaasti lisävarusteita on saatavilla auttamaan sinua hyödyntämään parhaiten tämä tuote. Ota yhteys paikalliseen myyjään lisätietojen saamiseksi.

TURVALLISUUSOHJEET

Kovan tuulen lähestyessä sulje kaikki ovet ja tuuletusluukut.

Voimakkaan lumentulon kohdalla, poista lumi kasvihuoneen katolta tai ryhdy asianmukaisiin toimiin tukeaksesi kattoa.

Lämmitä kasvihuonetta talvella.

KOMMENTIT

Uuden kasvihuoneesi täydellistä suojausta varten suosittelemme ottamaan vakuutuksen kasvihuoneellesi. Noudata asianmukaisia paikallisia rakennusmääräyksiä koskien kasvihuoneiden sijoittelua.

Kiinnitä kasvihuoneen mukana tullut tuotetarra ovipalkkiin (6014) tämän tuotteen onnistuneen kokoonpanon jälkeen. Tämä tieto on tärkeä, jos tarvitset myöhemmin varaosia.

Säilytä nämä kokoamisohjeet turvallisessa paikassa myöhempää käyttöä varten!

Kehitämme tuotteitamme jatkuvasti ja pidätämme oikeuden muuttaa tuotetietoja ilman etukäteisvaroitusta.

Disposizioni di sicurezza

- 1. LEGGERE COMPLETAMENTE LE PRESENTI ISTRUZIONI DI MONTAGGIO PRIMA PRIMA DI INIZIARE I LAVORI!!**
- Durante il maneggio di vetro, pannelli di policarbonato o componenti di serre si raccomanda di portare sempre occhiali di protezione, guanti e calzature di sicurezza nonché un elmetto protettivo, poiché gli spigoli taglienti possono causare delle lesioni. I vetri rotti costituiscono un elevato rischio per la sicurezza. Eliminare i vetri rotti con la massima prudenza.
- Il prodotto acquistato è ideato per la coltivazione di piante e deve essere utilizzato esclusivamente per questo scopo.. Per qualsiasi altro utilizzo si declina ogni responsabilità.
- Per il montaggio di questo prodotto sono richieste due persone.
- Se si utilizza una scala a pioli è consigliabile la presenza di una seconda persona che la tenga ferma.
- Qualora dovessero verificarsi delle complicazioni durante l'operazione di montaggio della serra o all'inserimento della vetratura, vogliate contattare il vostro commerciante di fiducia – **Non usare in nessun caso la forza!**
- La serra deve essere ancorata al suolo.

Descrizione della struttura

SCelta DEL LUOGO

Scegliere possibilmente un posto al sole, ma al contempo protetto dal vento.

IMPORTANTE

Prima di iniziare l'operazione di montaggio della serra, accertarsi che siano presenti tutti i componenti elencati. Prelevare i componenti dall'imballaggio, per poterli identificare meglio. È particolarmente importante non mischiare tra di loro i componenti aperti.

„Vite a vuoto“ = vite e dado per il futuro fissaggio dei componenti, inizialmente senza funzione visibile.

Qualora dovesse mancare qualcosa, vogliate contattare immediatamente il vostro fornitore.

UTENSILI RICHIESTI

Giravite (piatto e a croce PH2), chiave da 10 mm e da 17 mm, scala a pioli alta 1,80 m, cesoia per tappeto, metro, livella a bolla, trapano Ø20, avvitatore a batteria con coppia regolabile.

MANUTENZIONE

La serra dovrebbe essere periodicamente pulita con della liscivia detergente neutra. Il vetro può essere pulito con una soluzione non aggressiva che non intacchi i componenti di materiale sintetico, i telai d'alluminio né le graffe delle molle per i vetri. Pulire periodicamente le guide di corsa della porta.

0. FONDAMENTA

Importante! Le fondamenta devono essere perfettamente piane. Come accessorio è disponibile un fondamento d'acciaio zincato, per tutti i modelli di serre.

(Attenzione! Se la serra deve essere montata in un punto poco protetto ed esposto al vento: perforare i profili di base e le fondamenta d'acciaio e avvitarli entrambi tra di loro per mezzo delle viti e dei dadi) (non incluso nel volume di consegna)

Nella realizzazione delle fondamenta in pietra o calcestruzzo, attenersi alle misure indicate al capitolo 0.

Sotto i profili del suolo vengono necessitati dei listelli di legno pretrattati resistenti alle intemperie, con spessore minimo di 18 mm e larghezza massima di 32 millimetri, da montare tra il telaio di alluminio le fondamenta. (A-A) Per il lato della porta consigliamo di utilizzare listelli larghi 52 mm (B-B). Perforare i profili del suolo come descritto al disegno e avvitarli per mezzo di viti lunghe 50 mm (non comprese nel volume di consegna) alle fondamenta.

Le fondamenta devono essere incassate (ca. 60 - 80 cm tief) in modo da resistere al gelo.

Tutti i disegni sono illustrati dalla parte interna della serra, salvo le illustrazioni, che sono rappresentate in una doppia cornicetta.

1. FIANCATE

Sistemare tutti i componenti al suolo e avvitarli senza stringerli, conformemente alle figure (1.1) - (1.6).

Attenzione: Inserire le teste delle viti (non i dadi) nei rispettivi canali dei profili verticali. Ripetere questo procedimento sulle altre 4 fiancate.

2. ELEMENTI LATERALI - PORTA

Sistemare tutti i componenti al suolo e avvitarli senza stringerli, conformemente alle figure (2.1) - (2.6).

3. ASSEMBLAGGIO DEGLI ELEMENTI LATERALI

Avvitare i 6 elementi laterali con l'ausilio delle lastre angolari 1092, vedi capitoli (3.1) - (3.3). Applicare gli angolari in plastica (6067) su ogni angolo della gronda (3.4) - (3.6). Piazzare qui la serra sulle fondamenta/intelaiatura appositamente preparato/a e avvitare le viti, senza stringerle. (Stringerle a fondo solo dopo aver invetriato la serra).

Aggiustare il telaio, finché non avrà assunto una posizione dritta e verticale, quindi stringere le viti che uniscono gli elementi laterali.

Le viti devono essere strettamente serrate, ma non eccessivamente.

4A. TETTO

Collocare tutti i profili del tetto (6087) per terra e marcarli in modo preciso con una matita, come illustrato nella figura (4.1).

Le marcature sono importanti per garantire che i vetri combacino esattamente in un secondo tempo.

Avvitare il dispositivo di aiuto montaggio (6144) al cono (6095) utilizzando la vite (3001) e i dadi (3002) (4.2).

Attaccare i profili del tetto (6087) al cono (6095) (4.3) (4.4).

Attenzione: Gli spigoli del taglio rettilinei dei profili del tetto (6087) devono toccare il dispositivo di aiuto montaggio (6144) (4.3). Stringere tutte le viti.

Collegare le controventature (6097) ai punti di collegamento marcati (1055 mm) (4.5) (4.6).

4B. TETTO

La costruzione assemblata deve ora essere sollevata per essere poggiata sul tetto. È consigliabile eseguire quest'operazione con due persone.

Avvitare i profili del tetto (6087) a tutti gli angoli (4.7).

Avvitare i profili del tetto centrali (6088) al cono esagonale (6095) (4.8), alle controventature orizzontali (6097) (4.9) e agli angolari della gronda (6072/6073) (4.10).

Stringere tutte le viti.

Avvitare il cono esterno (6036) utilizzando la vite (6052), la rondella (6061), il distanziale (1010) e il dado (3002).

Attenzione: Rimuovere la vite (3001) e il dado (3002) del dispositivo di aiuto montaggio (6144).

Collegare internamente la prolunga della vite (6038) alla vite (6052), quindi congiungere la copertura (6099), utilizzando la rondella (6061) e la vite (6059) (4.11).

5L & R. PORTE

Collocare i profili della porta verticali (6085) / (6086) sul pavimento e inserire rispettivamente 6 viti (3001) negli appositi canali. Premere le guarnizioni del vetro (6089) sui profili verticali della porta (6085) / (6086) e tagliarle alla lunghezza voluta.

Montare i profili (6017) (5.2) ai profili (6085)/ (6086) con le viti precedentemente introdotte.

Assicurarsi che i bordi inferiori dei profili (6085/6086) siano allineati alla grondaia opposta al profilo superiore (6017), come raffigurato. In questo modo si garantisce di ottenere uno sbalzo corretto del profilo inferiore.

Introdurre la lastra di vetro inferiore (B) e posizionare quindi il profilo centrale (6140) o (6141) sui componenti (6085) / (6086) (5.3) (5.4).

Avvitare i componenti della serratura (6143), (7400) e (7401) ai profili centrali (6140) o al componente (6141), utilizzando le viti (6142) (5.3).

Inserire infine la lastra di vetro superiore (A) e fissare il profilo (6014) utilizzando le ultime due viti (5.5) rimaste.

Fissare il vetro sui due lati con le strisce di fissaggio in plastica (6500) (5.6).

Assicurarsi che la porta sia posta ad angolo retto prima di stringere le viti. (Nota: Se le lunghezze diagonali sono uguali, significa che la porta è posta ad angolo retto.)

Collegare gli elementi di guida della porta in plastica (6057) al profilo (6014) con le viti (6062) (5.5).

Fissare le rotelle della porta (6049) e il fermaporta (6039) al profilo inferiore (6017), utilizzando le viti (6046), le rondelle (3002) e i dadi (6051) (5.2), i quali dovranno essere stretti a fondo una volta installate le porte nella serra.

Mettere da parte le porte per montarle in un secondo tempo.

6. FINESTRE

La posizione delle finestre viene stabilita mediante i fori preperforati nel profilo angolare superiore della gronda (6072). **Attenzione:** Riscaldare la guarnizione della finestra (6034) portandola a temperatura ambiente! Premere la guarnizione (6034) centralmente sulla lastra di vetro superiore (6.1).

Non infilarla!

Incidere tutti gli angoli (6.2) della guarnizione e spingerla sui bordi della lastra (C). Assicurarsi che le incisioni effettuate sugli angoli combacino (6.3). Applicare il profilo inferiore della finestra (6024) sulla guarnizione (6.3) e montare i profili laterali (6020) e (6021). Avvitarli agli angoli con le viti (1008) (6.4). Incidere tutti gli altri angoli e spingere la guarnizione sul bordo superiore e accorciarla opportunamente al centro. Montare il profilo superiore della finestra (6025) e avvitarlo ai profili laterali (6020) e (6021) con le viti (1008) (6.5).

Assicurarsi che la finestra sia posta ad angolo

retto prima di stringere le viti.

Mettere da parte le finestre per montarle in un secondo tempo.

Fissare ora i profili (6066) al profilo angolare della gronda (6072) utilizzando le viti (3001) da avvitare nei fori preperforati. (6.6) Staccare il montante laterale (6003) e il puntone diagonale (6008), per attaccarvi il profilo del davanzale (6019) (6.7). (6003) und dann (6008) wieder montieren und lose mit Muttern (3002) (6.7) (6.8) verschrauben. Non stringere prima di aver installato la finestra nella serra.

Ripetere questo procedimento con tutte le altre finestre.

7. VETRATURA

Sono da osservare le misure di sicurezza summenzionate

Avvertenze per la sicurezza!

Importante! Il lato resistente ai raggi UV dei pannelli a camera vuota è contrassegnato da una pellicola di plastica o da una nota stampata sui bordi. Questo lato deve volgere verso l'esterno! Staccare la pellicola.

Inserire le lastre (D), (E) e (F) nelle guide dei profili del (6087) e (6088) (7.2) (7.3). Le lastre devono essere introdotte nelle guide da una persona operante su una scala.

Una volta che le lastre adiacenti sono introdotte, avvitare i dispositivi di serraggio (6077), (6078) o (6079) con le viti (7349) (7.4), per evitare che le lastre scivolino fuori dalle guide.

Inserire 3 viti in ciascun profilo della grondaia (6074) e congiungerli agli angolari della gronda (6072) o (6073). In quest'occasione delle lastre devono arrivare fino al profilo della grondaia (6074) montato (7.4).

Premere la guarnizione del vetro (6090) sui profili laterali (6022) (7.8) e tagliarla alla lunghezza voluta.

Inserire le lastre di vetro (G),(H) e (J), come raffigurato, e fissarle premendo le strisce di fissaggio in plastica (6500) su ogni lato (7.9) & (7.10).

Stringere ora le viti che congiungono la serra e le fondamenta.

8. INSTALLAZIONE DI PORTE E FINESTRE

Inserire le finestre nei punti laterali previsti, staccando il profilo (6066) e introducendo l'altro profilo (6025) nel profilo (6066) da una delle estremità. (8.1) & (8.2).

Sollevarlo il profilo del davanzale (6019) e spingerlo fino a collocarlo a raso della lastra di vetro (H).

Se tutto combacia perfettamente, stringere le viti dall'interno.

Avvitare l'apri-finestra (1067) al profilo (6024) con le viti (6062) (8.3). Collegare il fissafinestra (6056) al profilo del davanzale (6019) con le viti (6062). (8.3). Infilare la cappa di plastica (1019) sull'estremità dell'apri-finestra (1067) (8.3). Inserire gli elementi

scorrevoli in plastica della porta (6057) nel profilo della grondaia (6074) (8.4) e disporre le rotelle sotto La guida di corsa della porta (6002) (8.6) (8.7). Agganciare i fermaporta (6039) sotto al nasello (6002) e stringere le viti delle rotelle della porta (6046) (8.6). Applicare le calotte di plastica (6070) su tutti i dadi disponibili (3002) della serra (8.8). Montare il gomito (1402) sul pluviale (1415). Fissare i pluviali (1402)(1415) da 3 angoli non adiacenti alle estremità delle gronde (6067) (8.9). Agganciare la graffa (1414) ai montanti angolari (6022) all'altezza del gomito (1402) e introdurre una vite (1006) nel foro preperforato (1414) (8.10).

Praticare con il trapano da Ø 20 dei fori di drenaggio sui punti marcati nelle 3 estremità della gronda (6067).

Infilare il distanziale (6075) o (6076) dal lato interno della serra sull'angolare della gronda (6072) (6073) e avvitare al centro la vite (7349) (8.11) (8.12).

* **Attenzione!** La formazione di condensa nella serra con pannelli a camera vuota è un fenomeno inevitabile. Può comunque essere ridotto sostituendo le parti (6075 / 6076) con il componente (6100). Il risultato sarebbe una migliore ventilazione degli interni, in modo da ridurre la formazione di condensa.

Avvitare il componente (6100) con le viti (7349) al centro di ogni campo.

LE ULTIME OPERAZIONI

Se del caso, è possibile sigillare i giunti della serra con sigillante siliconico a reticolazione neutra. Il silicone non è incluso nella fornitura.

Applicare dall'interno il presente adesivo di avvertimento.

Il vostro fornitore dispone di un assortimento completo di accessori per serre.

Contattatelo.

INFORMAZIONI DI SICUREZZA

In presenza di vento forte si raccomanda di mantenere chiuse tutte le aperture e la porta.

Rimuovere tempestivamente la neve dai tetti delle serre in modo da evitare carichi di neve pericolosi.

Riscaldare la serra in inverno.

NOTE

Per garantire la protezione completa della serra vi consigliamo di includerla nella vostra polizza assicurativa domestica. Osservare eventuali prescrizioni edilizie locali vigenti.

Incollare l'adesivo di identificazione fornito in dotazione sul profilo della porta (6014) dopo il completamento del montaggio della serra. La denominazione del tipo è richiesta per specificare eventuali pezzi di ricambio da ordinare.

Conservare sempre le istruzioni per il montaggio!

Tutte le misure specificate sono valori approssimativi.

Con riserva di modifiche.

1. PRZED ROZPOCZĘCIEM MONTAŻU PROSZĘ PRZECZYTAĆ DO KOŃCA TĘ INSTRUKCJĘ!

- Przy obchodzeniu się ze szkłem, płytami z poliwęglanu lub częściami szklarni należy nosić zawsze okulary ochronne, rękawice ochronne, buty ochronne i ochronę na głowę, ponieważ ostre krawędzie mogą spowodować obrażenia. Potłuczone szło stanowi element ryzyka. Proszę usunąć je z zalecaną ostrożnością.
- Produkt, który został nabyty przez Państwa, został skonstruowany do hodowli roślin i może być używany wyłącznie do tego celu. W przypadku innego zastosowania wyklucza się wszelką odpowiedzialność.
- Zaleca się montowanie produktu we 2 osoby.
- Podczas używania drabiny jedna osoba powinna zabezpieczać ją przez cały czas pracy drugiej osoby.
- Jeżeli będą mieli Państwo problemy podczas montażu szklarni lub w trakcie zakładania oszklenia, to proszę skontaktować się z Państwa sprzedawcą – **proszę nie używać siły!**
- Szklarnię należy zakotwiczyć.

Instrukcja Montażu

WYBÓR MIEJSCA

Proszę wybrać słoneczne miejsce, ale jednocześnie chronione przed wiatrem.

WAŻNE

Zanim rozpoczną Państwo montaż szklarni, należy sprawdzić, czy występują wszystkie części wymienione na liście. Proszę wyjąć poszczególne paczki z opakowania, aby było możliwa ich lepsza identyfikacja.

Należy zwrócić uwagę, aby otwarte paczki nie wymieszaly się między sobą.

Jeżeli brakuje czegoś, to proszę skontaktować się z dostawcą.

POTRZEBNE NARZĘDZIA

Śrubokręt (normalny i krzyżak PH2), pierścieniowy klucz płaski 10 mm, nóż, całówka, poziomica, wkrętarka akumulatorowa z odpowiednią końcówką.

KONSERWACJA

Szklarnia powinna być od czasu do czasu gruntownie czyszczona za pomocą neutralnego środka piorącego. Szkło może być myte środkiem czyszczącym, który nie jest agresywny w stosunku do tworzyw sztucznych, ram aluminiowych, a także klamer sprężynowych mocujących szkło. Należy regularnie czyścić szynę jezdną drzwi.

0. BAZA FUNDAMENTOWA

Ważne! Baza fundamentowa musi być absolutnie prostokątna i płaska. Ocynkowany fundament stalowy jest dostępny jako osprzęt dla wszystkich modeli szklarni.

(Uwaga!) Wyłącznie w przypadku, gdy szklarnia musi być ustawiona w bardzo nieosłoniętym i wietrznym miejscu: przewiercić profile podstawowe i stalowy fundament i skrócić je razem 2 śrubami i nakrętkami)

Jeżeli jednak chcą Państwo wykonać fundament z kamienia lub betonu, to proszę

przygotować go zgodnie z danymi wymiarami podanymi w Rozdział 0. Listwy drewniane poddane wstępnej obróbce, odporne na działanie czynników atmosferycznych o grubości przynajmniej 18 mm, a o szerokości najwięcej 32 mm, włożyć pomiędzy fundament kamienny/betonowy i ramy aluminiowe, wywiercić otwory zgodnie z rysunkiem i wkręcić śruby o długości 50 mm (nie dostarczone) w fundament. Fundament musi sięgać poniżej poziomu zamazania.

Wszystkie rysunki przedstawione są od strony wewnętrznej domku, z wyjątkiem rysunków, które przedstawione są w podwójnej ramce. Pokazują one widok z zewnątrz.

1. CZĘŚCI BOCZNE

Wszystkie części należy ułożyć na podłodze i skrócić luźno śrubami. (1.1) do (1.6)
Zauważ: Wszystkie główki śrub muszą być wsunięte do otworów w każdej pionowej belce. Powtórz dla każdej z 4 pustych ścian.

2. CZĘŚĆ BOCZNA - DRZWI

Wszystkie części należy ułożyć na podłodze i skrócić luźno śrubami. (2.1) do (2.6)

3. MONTAŻ CZĘŚCI BOCZNYCH

Skreć razem elementy o 6 bokach za pomocą narożnej blachy 1092, (3.1) do (3.3). Ostrożnie wprowadź plastikowe zakończenia okapu (6067) do okapów na każdym rogu, (3.4) do (3.6).

Następnie zamocuj ramę do przygotowanej bazy fundamentowej i skreć luźno. (Śruby należy dokręcić dopiero po oszkleniu szklarni.) Dopasuj ramę tak, by była kwadratowa i wyprostowana i dokręć śruby, które łączą ścianki.

Nie dokręcaj za mocno.

4A. DACH

Rozłóż wszystkie części dachu (6087) na ziemi i zaznacz je odpowiednio ołówkiem jak

pokazano. (4.1). Zaznaczenie ich jest ważne, żeby w późniejszym czasie odpowiednio zamocować szyby.

Przykręć część pomocniczą (6144) do sześciokątnego stożka (6095) za pomocą śruby (3001) i nakrętki (3002) (4.2). Zamontuj drażki dachowe (6087) do stożka (6095) (4.3) (4.4). Zauważ: gładka krawędź (6087) powinna przylegać do (6144) (4.3) Dokręć wszystkie śruby.

Przykręć wieńiec (6097) w zaznaczonym miejscułączenia krawędzi (1055 mm). (4.5) (4.6)

4B. DACH

Dwie osoby powinny teraz przenieść montowanie na dach. Przykręć drażki dachowe (6087) w każdym kącie (4.7). Używając drabiny połącz środkowe drażki dachowe (6088) z sześciokątnym stożkiem (6095) (4.8), wieńcem (6097) (4.9) i kątownikiem okapu (6072) / (6073) (4.10). Dokręć wszystkie śruby.

Zamontuj zewnętrzny stożek (6036) za pomocą śruby (6052), podkładki (6061), odstępnika (1010) i nakrętki (3002) i podnieś na miejsce. Zauważ: Śruba (3001) i nakrętka (3002) łączące część (6144) muszą zostać usunięte na tym etapie. W środku połącz przedłużenie śruby (6038) ze śrubą (6052) następnie połącz osłonę (6099) z (6038) za pomocą podkładki (6061) i śruby (6059) (4.11).

5L & R. DRZWI

Ułóż pionowe belki drzwi (6085) / (6086) na ziemi i przygotuj 6 śrub (3001) na każdy kanał śrubowy. Wciśnij uszczelkę szkła (6090) do (6085) / (6086) (5.1) i przytnij do odpowiedniej długości. Przykręć (6017) do drażków (6085) / (6086) za pomocą przygotowanych końcowych śrub (5.2).

Upewnij się żeby wyróżnić dolne krawędzie słupków (6085) / (6086) z wyźlobieniem na dolnej ścianie belki (6017)

jak pokazano. Zapewni to właściwy zwis dolnego drążka.

Umieść dolną szybę (B), następnie środkowy drążek (6140) lub (6141) na (6085) / (6086) (5.3) (5.4). Zamontuj części zamka (6143), (7400) i (7401) za pomocą śrub (6142) do środkowego drążka (6140) lub (6141) (5.3).

Na koniec umieść górną szybę (A) i przykręć (6014) za pomocą dwóch ostatnich przygotowanych śrub (5.5). Zamocuj szybę po obu stronach plastikowymi klamrami sprężynowymi (6500) (5.6).

Upewnij się, że drzwi są całkowicie kwadratowe przed dokręceniem wszystkich śrub. Można to zrobić mierząc przekątne.

Skręć plastikowe prowadnice drzwi (6057) na górnym drążku (6114) za pomocą śrub (6062) (5.4). Skręć luźno kółka drzwi (6049) i kątowniki drzwi (6039) do górnego drążka (6017) za pomocą nakrętki (3002), śruby (6046) i podkładek (6051) (5.2). Powinny zostać dokręcone po umieszczeniu drzwi na miejsce.

Powtórz dla obu par drzwi i odłóż je na bok do przyszłego użytku.

6. OKNA

Położenie okien jest zdeterminowane przez położenie przygotowanych otworów w kątowniku okapu (6072).

Zauważ: Rozgrzej uszczelkę okna (6034) do temperatury pokojowej. Wciśnij uszczelkę (6034) centralnie na górną krawędź szyby C (6.1). **Nie rozciągaj.**

Natnij uszczelkę na rogu (6.2), następnie wciśnij uszczelkę na bocznej i górnej krawędzi szyby (C), nacinając ją tak by wpasowała się do każdego rogu. Wpasuj dolną poprzeczkę okna (6024) nad uszczelką (6.3), następnie drążki (6020) i (6021). Połącz je na rogach za pomocą śrub (1003) (6.4). Zakończ wciskanie uszczelki na górną krawędź i przytnij na środku do odpowiedniej długości. Wpasuj górną poprzeczkę okna (6025) i połącz z bocznymi drążkami (6020) i (6021) za pomocą śrub (1003) (6.5).

Upewnij się, że okno jest całkowicie kwadratowe przed dokręceniem wszystkich śrub.

Skręć luźno drążek (6066) za pomocą śruby (3001) do kątownika okapu (6072) za pomocą przygotowanych otworów (6.6). Zdejmij boczny (6003) i przekątny wspornik (6008) żeby zmieścić parapet (6019) za nimi (6.7). Wymień (6003), następnie (6008), skręcając luźno za pomocą nakrętki (3002) (6.7) (6.8). Nie dokręcaj dopóki okno dachowe nie zostanie zamocowane w budynku.

Powtórz dla wszystkich okien i odłóż je na bok

do przyszłego użytku.

7. OSZKLENIE

Please note the already mentioned safety precautions.

Zwróć uwagę na wymienione wcześniej środki bezpieczeństwa.

Upewnij się, że wszystkie poliwęglanowe powierzchnie są skierowane stroną odporną na promieniowanie ultrafioletowe na zewnątrz.

Podczas gdy jedna osoba używa drabiny wewnątrz budynku należy oszkląć dach, wsuwając szyby (D), (E) i (F) do właściwych przewodnic w dachu (6087) i (6088) (7.2) (7.3). Kiedy przylegające szyby są we właściwym miejscu połącz końce (6077), (6078) lub (6079) za pomocą śrub (7349) (7.4) żeby zapobiec wysuwaniu się szyb z przewodnic.

Umieść prowadnicę drzwi (6074) do kątownika okapu (6072) / (6073) i przymocuj na miejscu za pomocą 3, równo rozstawionych śrub (6068) (7.6) (7.7).

Wciśnij uszczelki do szkła (6090) do wszystkich bocznych prętów (6013) i (6022) (7.5) i przytnij do odpowiedniej długości. Wpasuj szklane szyby (G), (H) i (J) jak pokazano i zamocuj wciskając plastikowe klamry sprężynowe (6500) po każdej stronie (7.6) & (7.7).

Dokręć teraz śruby, łącząc szklarnię z fundamentem.

8. UMIEJSCOWIENIE OKIEN I DRZWI

Unieś okna do przygotowanych pozycji na bokach poprzez poluzowanie poprzeczki (6066) i wsuń poprzeczkę (6025) do drążka (6066) od jednego końca (8.1) & (8.2). Podnieś parapet (6019) i dopasuj do okna. Kiedy będzie prawidłowo ustawione dokręć wszystkie śruby od środka.

Przykręć otwieracz okna (1067) do drążka (6024) za pomocą śrub (6062) (8.3). Przykręć oba uchwyty (6056) do parapetu (6019) za pomocą śrub (6062) (8.3). Umieść plastikową nasadkę (1019) na końcu otwieracza okna (1067) (8.3).

Umieść drzwi wprowadzając plastikowe prowadnice drzwi (6057) do drążka (6074) (8.4) (8.5), następnie opuść kółka na szyny (6002) (8.6). Przyczep kątowniki drzwi (6039) pod krawędzią na (6002) i dokręć nakrętki zabezpieczające (6046) (8.6) (8.7).

Połącz plastikowe nasadki (6070), wciskając je na wszystkie widoczne nakrętki (3002) wewnątrz budynku (8.8).

Przymocuj kolanko rury spustowej (1402) do rury spustowej (1415). W 3 nieprzylegających kątach przymocuj rurę spustową (1402) / (1415) do końców okapu (6076) (8.9). Zawieś zacisk (1414) do drążków narożnych (6022)

na wysokości kolanka (1402) i wprowadź śrubę (1006) do przygotowanego otworu w (1414) (8.10). Użyj wiertła \varnothing 20 w celu wykonania otworów do odprowadzania wody w 3 końcach okapu (6067), biorąc pod uwagę zaznaczony obszar.

Wewnątrz szklarni wsuń odstępniki do szkła (6075) lub (6076) do kątowników okapu (6072) / (6073). Zamocuj je centralnie do kątownika okapu za pomocą śruby (7349). (8.11) (8.12).

* **Zauważ:** Zjawisko skraplania w szklarni jest nieuniknione z uwagi na szyby poliwęglanowe, choć może być zredukowane poprzez wymianę części (6075 / 6076) na (6100). Pozwoli to na efektywniejszą wentylację wnętrza i zmniejszy efekt skraplania. Przykręć (6100) po środku każdego pola okapu za pomocą śrub (7349).

OSTATNIE CZYNNOŚCI

Jeżeli zyczą sobie tego państwo, to za pomocą silikonu można uszczelnić szklarnię na występujących już spoinach oraz między szkłem a odstępnikami (6075) lub (6076). Sylikon nie jest zawarty w zakresie dostawy. Dołączoną naklejkę ostrzegawczą należy nakleić od wewnątrz. Po 2 tygodniach od montażu należy sprawdzić czy śruby i nakrętki są odpowiednio dokręcone. Państwa dostawca posiada bogaty asortyment wyposażenia szklarni. Proszę się z nim skontaktować.

WSKAZÓWKI BEZPIECZEŃSTWA

W przypadku mocnego wiatru, wszystkie otwory i drzwi powinny być zamknięte. Dachy szklarni należy regularnie odśnieżać tak, aby nie powstały niebezpieczne obciążenia śnieżne. Należy ogrzewać budynek zimą.

UWAGI

W celu uzyskania pełnego zabezpieczenia szkieletu szklarni zalecamy, aby włączyć jej ubezpieczenie do ubezpieczenia domu. Proszę przestrzegać ewentualnie istniejących miejscowych przepisów budowlanych dotyczących szklarni ogrodowych. Dostarczoną naklejkę typu należy po pomyślnym montażu szkieletu szklarni nakleić na szkielet szklarni (6014). Oznaczenie typu potrzebują Państwo do podania danych przy zamówieniu ewentualnie potrzebnych części zamiennych. Proszę przechować tę instrukcję montażu do przyszłego użytku! Nasza polityka opiera się na nieprzerwanym doskonaleniu w związku z czym zastrzegamy sobie prawo do wprowadzania zmian w opisie bez uprzedniego powiadomienia.

1. PROSIMO, DA TA NAVODILA ZA MONTAŽO PRED ZAČETKOM POSTAVITVE V CELOTI PREBERETE!

- Pri rokovanju s steklom, votlimi ploščami ali deli rastlinjaka morate vedno nositi zaščitna očala, rokavice, zaščitne rokavice in zaščito za glavo, ker se lahko na ostrih robovih poškodujete. Zlomljeno steklo predstavlja varnostno tveganje. Odstranite ga z zahtevano previdnostjo.
- Rastlinjak, ki ste ga kupili, je zasnovan za gojenje rastlin in ga smete uporabljati izključno za ta namen. V primeru drugačne uporabe je vsakršna odgovornost izključena.
- Za montažo tega rastlinjaka sta potrebni dve osebi.
- Pri uporabi stopenjske lestve mora vedno druga oseba zavarovati lestev.
- Če imate pri montaži rastlinjaka ali vstavljanju zasteklitve težave, stopite v stik s svojim prodajalcem – **Ne ravnajte na silo!**
- Rastlinjak mora biti zasidran.

Opis postavitve

IZBIRA LEGE

Poiščite najbolj sončno lego, ki pa je hkrati zaščiten pred vetrom.

POMEMBNO

Preden začnete z montažo vašega rastlinjaka, preverite, ali so na voljo vsi deli, ki so navedeni na seznamu. Da boste to lažje ugotovili, vzemite posamezne pakete iz embalaže.

Pomembno je, da odprtih paketov ne pomešate.

»Prazni vijak« = vijak in matica za poznejšo pritrditev delov, ki sprva nimata razvidne funkcije.

Če kaj manjka, stopite v stik z dobaviteljem.

POTREBNO ORODJE

Izvičaj (za zarezo in križni PH2), vijadni ključ 10 mm in 17 mm, stopenjska lestev 1,80 m, nož za preproge, zložljivi meter, vodna tehničnica, sveder Ø20, akumulatorski vijaknik z nastavljenim vrtilnim momentom.

VZDRŽEVANJE

Rastlinjak občasno temeljito operite z nevtralnimi čistilom. Steklo lahko očistite z blagim čistilnim sredstvom, ki ni agresivno do plastičnih delov, aluminijastega okvirja in vzmetnih sponk za steklo.

Redno očistite vodila vrat.

0. TEMELJ

Pomembno! Temelj mora biti absolutno raven. Pocinkan jeklen temelj je kot oprema na voljo za vse modele rastlinjakov.

(Pozor!) Če je rastlinjak potrebno postaviti na zelo nezaščitenem in vetrovnem mestu: prevrtajte osnovne profile in jekleni temelj ter ju privijte skupaj z vijaki in maticami. (Ni priloženo obsegu dobave.)

Če želite temelj izdelati iz kamna ali betona, se ravnajte po navedenih merah v poglavju 0.

Pod talnimi profili so potrebne obdelane, proti vremenskim vplivom zaščitene lesene letve debeline najmanj 18 mm in širine največ 32 mm, ki se montirajo med aluminijasti okvir in temelj. (A-A) Za stran z vrati priporočamo uporabo letev širine 52 mm (B-B).

Talne profile prevrtajte v skladu z risbo in jih z vijaki dolžine 50mm (niso priloženi dobavi) privijte v temelj.

Temelj mora biti zaščiten pred zmrzaljo (globine pribl. 60–80 cm).

Vse risbe so prikazane z notranje strani rastlinjaka, razen slik, ki so prikazane v dvojnem okvirju.

1. STRANICE

Vse dele položite na tla in rahlo privijte v skladu s sliko (1.1) do (1.6).

Pozor: Glave vijakov (ne matice) je treba vstaviti v posamezne kanale za vijake na vertikalnih profilih.

Ta postopek ponovite na nadaljnjih 4 stranicah.

2. STRANICE VRAT

Vse dele položite na tla in rahlo privijte v skladu s sliko (2.1) do (2.6).

3. POVEZOVANJE ELEMENTOV STRANIC

6 elementov stranic privijte skupaj s pomočjo vogalnih plošč (1092), (3.1) do (3.3).

Plastične kapne vogale (6067) na vsakem vogalu pritisnite na kap (3.4) do (3.6).

Zdaj to te mere privijte rastlinjak postavite na pripravljen temelj/okvir in ga rahlo privijte.

(Vijake pritegnite šele, ko je rastlinjak zastekljen.)

Natančno naravnajte okvir, da je raven in navpičen. Vijake, s katerimi so spojeni elementi stranic, trdno privijte.

Vijaki morajo biti trdno, vendar ne pretesno priviti.

4A. STREHA

Vse strešne profile (6087) položite na tla in jih natančno označite s svinčnikom, kot je označeno na sliki (4.1).

Te oznake so pomembne za zagotovitev, da se steklene plošče pozneje natančno prilegajo.

Priloženi montažni pripomoček (6144) privijte na konus (6095) s pomočjo vijaka (3001) in matic (3002) (4.2).

Montirajte strešne profile (6087) na konus (6095) (4.3) (4.4).

Pozor: Ravno odrezani robovi strešnih profilov (6087) se morajo dotikati montažnih pripomočkov (6144) (4.3).

Vse vijake trdno privijte.

Horizontalne strešne palice (6097) spojite s povezovalno točko na oznaki (1055 mm) (4.5) (4.6).

4B. STREHA

Vsaj dve osebi sta potrebni za dvig povezane konstrukcije na streho.

Privijte strešne profile (6087) na vsak vogal (4.7).

Z lestve privijte srednje strešne profile (6088) na šestkotni konus (6095) (4.8), horizontalne strešne palice (6097) (4.9) in kapne kotnike (6072/6073) (4.10).

Vse vijake trdno privijte.

Zunanji konus (6036) privijte z vijakom (6052), podložko (6061), distančnikom (1010) in matico (3002).

Pozor: Vijak (3001) in matica (3002) montažnega pripomočka (6144) morata biti na tem mestu odstranjena.

Znotraj podaljšek vijaka (6038) spojite z vijakom (6052) in nato pokrov (6099) spojite s pomočjo podložke (6061) in vijaka (6059) (4.11).

5L IN R. VRATA

Navpične profile vrat (6085) / (6086) položite na tla in po 6 vijakov (3001) vstavite v kanale z vijaki. Pritisnite tesnila za steklo (6089) na navpične profile vrat (6085)/ (6086) (5.1) in jih odrežite na ustrezno dolžino.

Profile (6017) (5.2) montirajte s profili (6085)/ (6086) s pomočjo predhodno vstavljenih vijakov.

Pazite na to, da spodnji robovi profilov (6085/6086) z zarezo navzgor zapirajo proti zgornjemu profilu (6017), kot je prikazano. S tem je zagotovljeno, da je dosežen pravilen previs spodnjega profila.

Vstavite spodnjo stekleno ploščo (B), nato pa namestite srednji profil (6140) oz. (6141) na (6085) / (6086) (5.3) (5.4).

Dele ključavnice vrat (6143), (7400) in (7401) z vijaki (6142) montirajte na srednje profile (6140) ali (6141) (5.3).

Na koncu vstavite zgornjo stekleno ploščo (A) in profil (6014) pritrдите z zadnjima dvema predvidenima vijakoma (5.5).

Steklo na obeh straneh pritrđite s plastičnimi pritrđilnimi trakovi (6500) (5.6).

Zagotovite, da so vrata absolutno pod pravim kotom, preden trdno privijete vse vijake. (Opozorilo: Če so vse diagonalne dolžine enake, so vrata pod pravim kotom.)

Plastična vodila vrat (6057) spojite s profilom (6014) s pomočjo vijakov (6062) (5.5).

Tekalna kolesca vrat (6049) in držalo (6039) na rahlo spojite s spodnjim profilom (6017) s pomočjo vijaka (6046), podložk (6051) in matic (3002) (5.2).

Te je treba pozneje, ko so oboja vrata vstavljena v rastlinjak, trdno priviti.

Vrata odložite na stran, da jih boste pozneje vgradili.

6. OKNA

Položaj oken se določi s predhodno izvrtanimi luknjami v zgornji kapni kotni profil (6072).

Pozor: Okensko tesnilo (6034) segrejte na sobno temperaturo! Tesnilo (6034) na sredini pritisnite na zgornjo stekleno ploščo (6.1).

Ne navlecite ga!

Na vsakem vogalu (6.2) tesnilo zarezite in ga nato pritisnite na robove plošče (C). Pri tem zagotovite, da se rezi prilegajo čez vogale (6.3). Spodnji okenski profil (6024) namestite čez tesnilo (6.3) in montirajte stranske profile (6020) in (6021).

Te spojite na vogalih s pomočjo vijakov (1008) (6.4).

Vse ostale vogale zarezite in nato tesnilo pritisnite na zgornji rob in ga v sredini odrežite na ustrezno dolžino. Montirajte zgornji okenski profil (6025) in ga spojite s stranskimi profili (6020) in (6021) s pomočjo vijakov (1008)

(6.5).

Zagotovite, da je okno absolutno pod pravim kotom, preden trdno privijete vse vijake.

Okno odložite na stran, da ga boste pozneje vgradili.

Zdaj profile (6066) pritrđite z vijaki (3001) na kapni kotni profil (6072). Za to uporabite predhodno izvrtane luknje. (6.6)

Odvijte stransko palico (6003) in diagonalno palico (6008), da profil okenske police (6019) namestite za njima (6.7). (6003) in nato (6008) spet montirajte in na rahlo privijte z maticami (3002) (6.7) (6.8). Ne privijte pretrdno, preden okno ni vstavljeno v rastlinjak.

Ta postopek ponovite pri vseh oknih.

7. ZASTEKLITEV

Prosimo, upoštevajte zgoraj navedena varnostna navodila!

Pomembno! Stran votlih plošč, ki je odporna na UV-žarke, je označena s plastično folijo ali natisnjениm opozorilom na robovih. Ta stran mora biti usmerjena navzven! Odstranite folijo.

Plošče (D), (E) in (F) vstavite v predvidena vodila v strešnih profilih (6087) in (6088) (7.2) (7.3). Druga oseba, ki stoji na lestvi v rastlinjaku, plošče vstavi v vodila.

Ko so plošče, ki ležijo druga ob drugi, vstavljene, montirajte blokade (6077), (6078) ali (6079) s pomočjo vijakov (7349) (7.4), da preprečite zdrs iz vodil.

V vsak kapni profil (6074) vstavite 3 vijake in jih spojite s kapnimi kotniki (6072) ali (6073), pri čemer morajo plošče segati v montiran kapni profil (6074) (7.4).

Pritisnite tesnila za steklo (6090) na vse stranske profile (6013) in (6022) (7.8) in jih odrežite na ustrezno dolžino.

Vstavite steklene plošče (G),(H) in (J), kot je prikazano, in jih fiksirajte tako, da na vsaki strani nataknete plastične trakove za fiksiranje (6500) (7.9) in (7.10).

Zdaj privijte vijake, ki rastlinjak povezujejo s temeljem.

8. VGRADNJA OKEN IN VRAT

Okna vstavite na za to predvidenih mestih stranic, tako da profil (6066) odvijete in profil (6025) z enega konca vstavite v profil (6066). (8.1) in (8.2).

Profil okenske police (6019) dvignite in ga poravnano potisnite na stekleno ploščo (H).

Ko je vse pravilno nameščeno, od znotraj privijte vse vijake.

Odpiralo okna (1067) spojite s profilom (6024) s pomočjo vijakov (6062) (8.3). Obe opori okna (6056) spojite s profilom okenske police (6019) s pomočjo vijakov (6062). (8.3). Plastično kapo (1019) natakните na konec

odpirala okna (1067) (8.3). Plastične drsnike vrat (6057) vstavite v kapni profil (6074) (8.4) (8.5), nato pa kolesca vstavite spodaj v vodilo vrat (6002) (8.6) (8.7). Vtaknite držalo vrat (6039) pod element (6002) in zategnite vijake kolesc za vrata (6046) (8.6).

Na vse vidne matice (3002) v rastlinjaku natakните plastične kape (6070) (8.8).

Montirajte koleno (1402) na padno cev (1415). Na 3 vogalih, ki niso drug poleg drugega, pritrđite padne cevi (1402)(1415) na koncih kapi (6067) (8.9). Sponko (1414) obesite na vogalni steber (6022) na višini kolena (1402) in vstavite vijak (1006) v predhodno izvrtano luknjo (1414) (8.10).

S svedom Ø 20 na označenih mestih izvrđajte drenažne luknje v 3 konce kapi (6067).

Distančnik za steklo (6075) ali (6076) potisnite z notranje strani rastlinjaka na kapne kotnike (6072) (6073) in jih na sredini privijte z vijakom (7349) (8.11) (8.12).

*** Pozor!** Nastajanju kondenzne vode se v rastlinjaku z votlimi ploščami ni mogoče izogniti. Lahko pa se zmanjša, tako da se deli (6075 / 6076) zamenjajo s (6100). To ima za posledico večjo ventilacijo v notranjosti, s čimer se nastajanje kondenzne vode zmanjša. Prosimo, da montirate (6100) z vijaki (7349) v sredino vsakokratnega polja.

ZAKLJUČNA DELA

Če želite, lahko rastlinjak na fughah zatesnite z nevtralnimi silikonom. Nevtralni silikon ni priložen.

Priloženo nalepko z opozorilom nalepite na notranji strani.

Vaš dobavitelj ima na voljo bogato izbiro opreme za vaš rastlinjak.

Povprašajte pri njem.

VARNOSTNA NAVODILA

Ob močnem vetru morajo biti vsa okna in vrata zaprta.

S streh rastlinjakov pravočasno očistite sneg, da ne pride do nevarne obremenitve s snegom.

Pozimi rastlinjak ogrevajte.

OPOMBE

Za popolno zaščito rastlinjaka vam priporočamo, da ga vključite v **zavarovanje hiše**. Upoštevajte morebitne veljavne lokalne gradbene predpise.

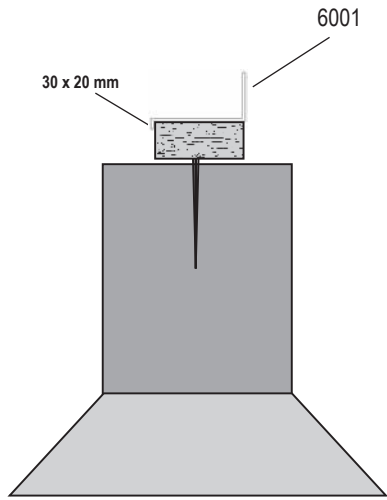
Priloženo tipsko nalepko po opravljeni montaži rastlinjaka nalepite na profil vrat (6014). Oznako tipa potrebujete za navedbo pri naročilu morebitnih potrebnih nadomestnih delov.

Prosimo, da navodila za montažo shranite!

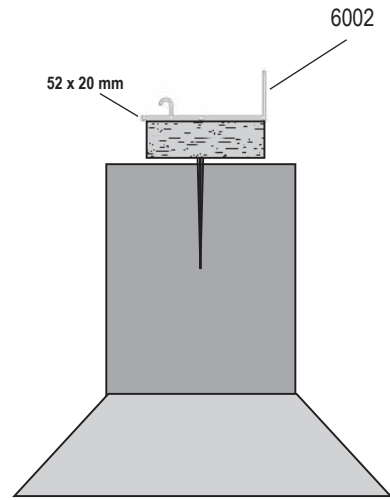
Vse navedene mere so približne mere.

Pridržujemo si pravico do sprememb.

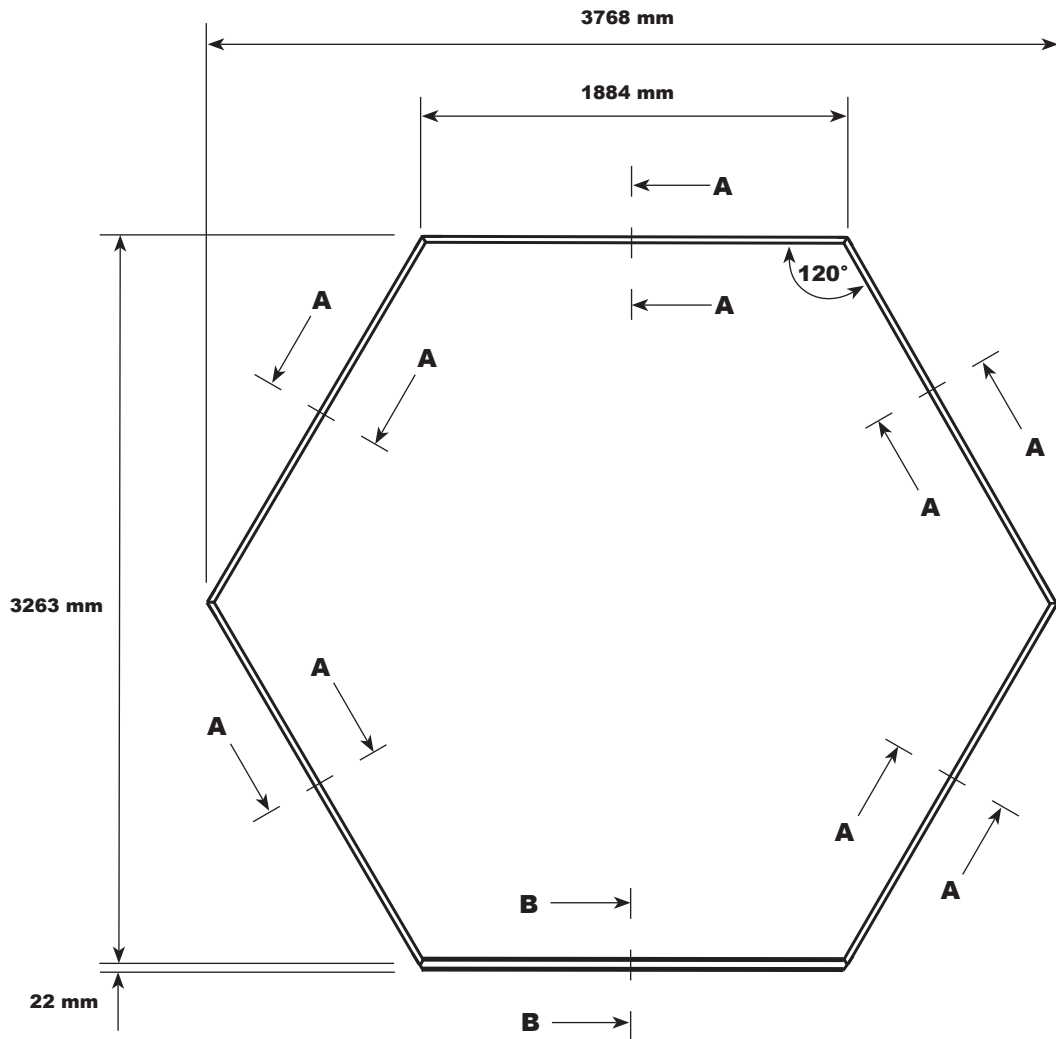
0



A - A

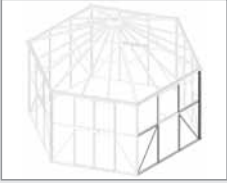


B - B

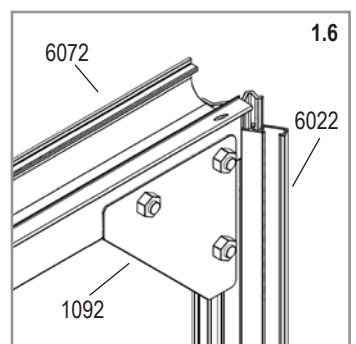
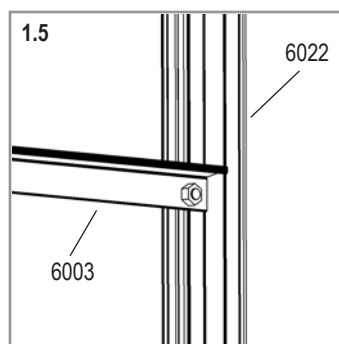
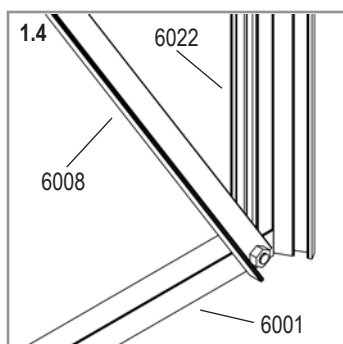
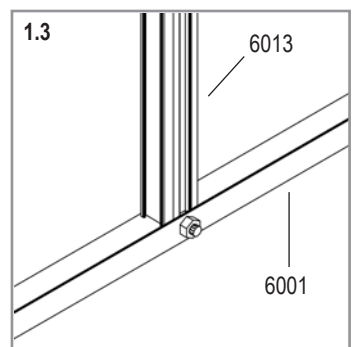
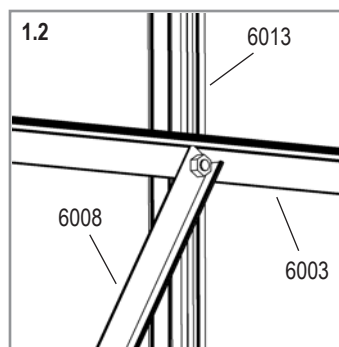
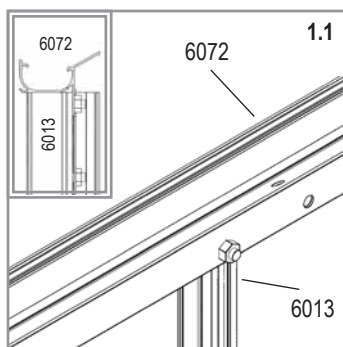
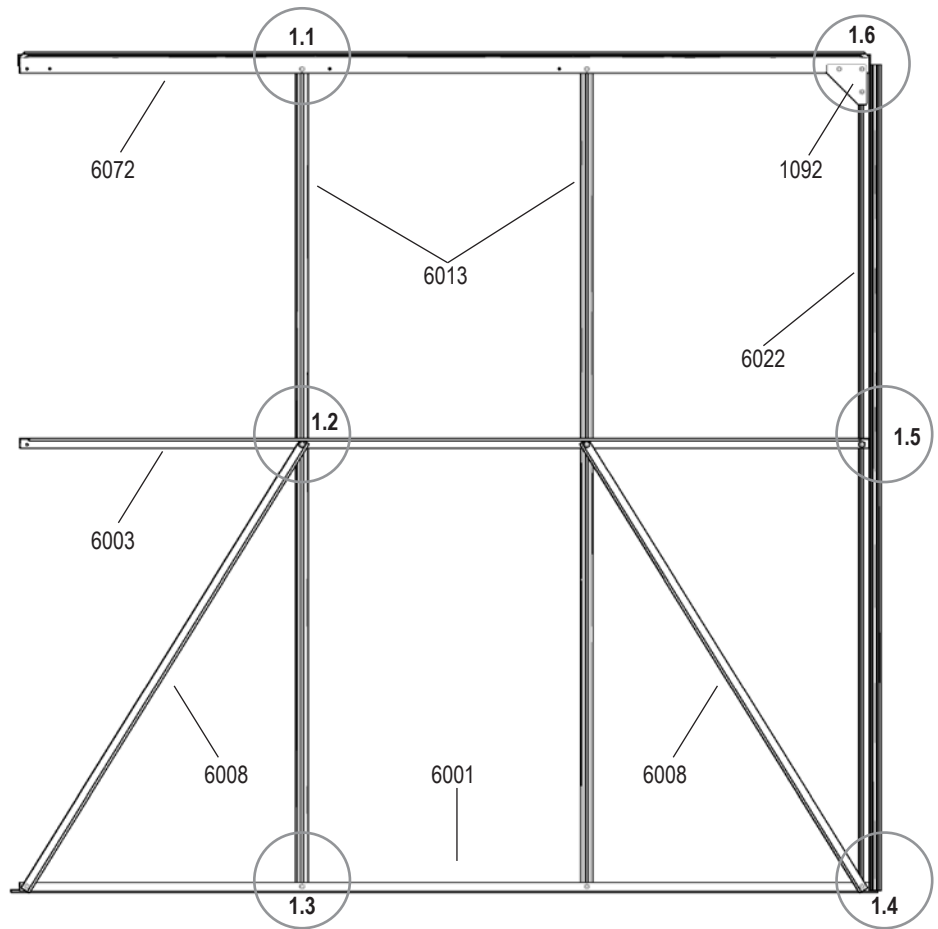


VM0010-H2L

1













1092 1x 5	
3001 12x 5	
3002 12x 5	
6001 1x 5	
6003 1x 5	
6008 2x 5	
6013 2x 5	
6022 1x 5	
6072 1x 5	

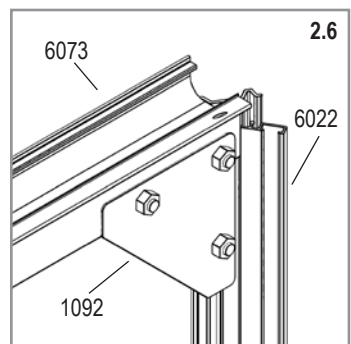
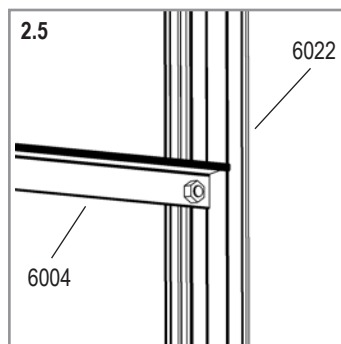
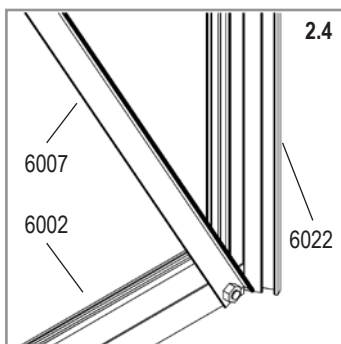
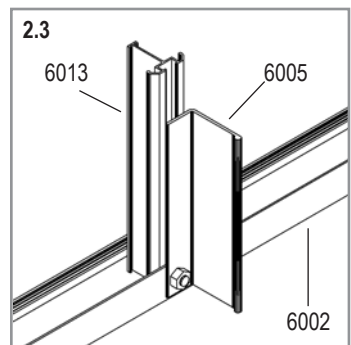
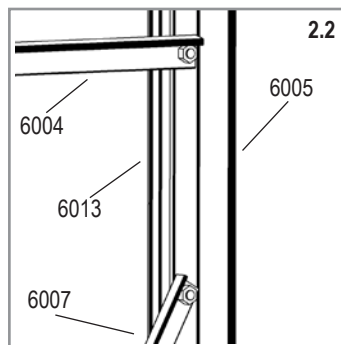
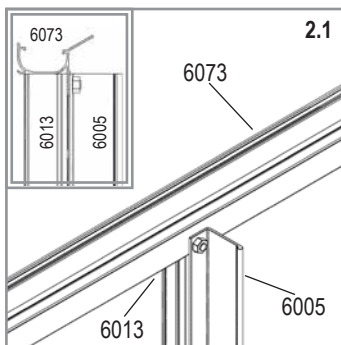
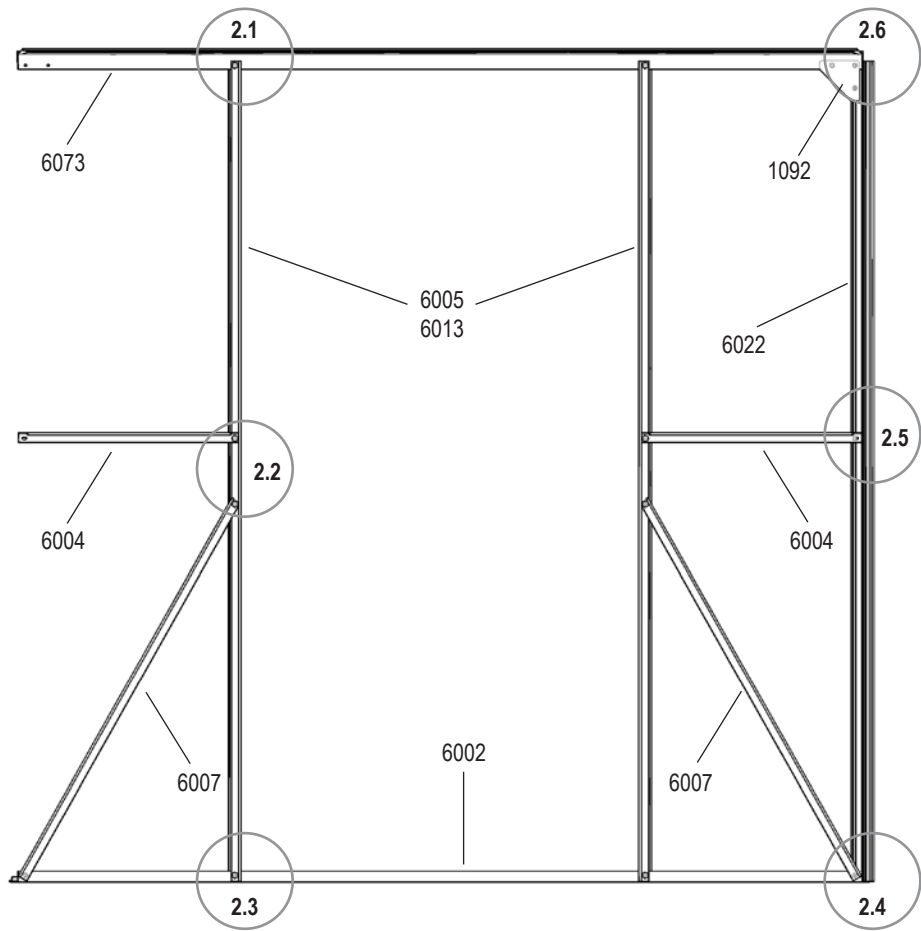


VM0010-H2L

2

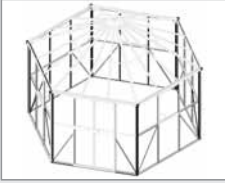


- 1092
1x 
- 3001
14x 
- 3002
14x 
- 6002
1x 
- 6004
2x 
- 6005
2x 
- 6007
2x 
- 6013
2x 
- 6022
1x 
- 6073
1x 

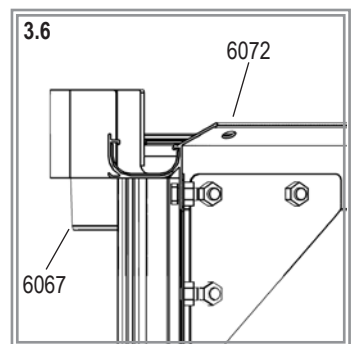
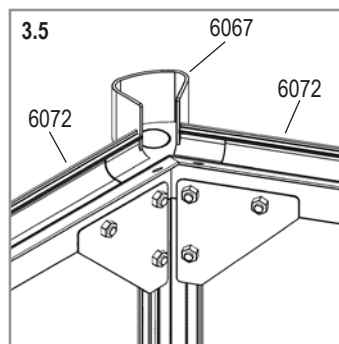
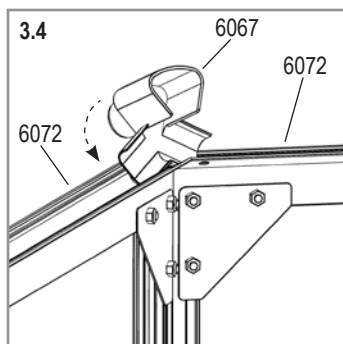
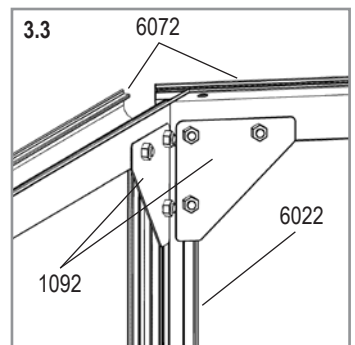
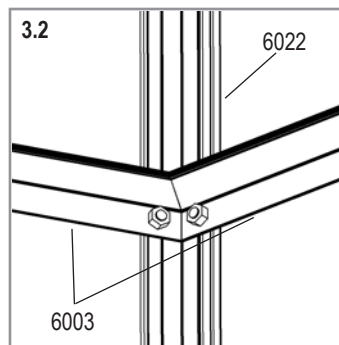
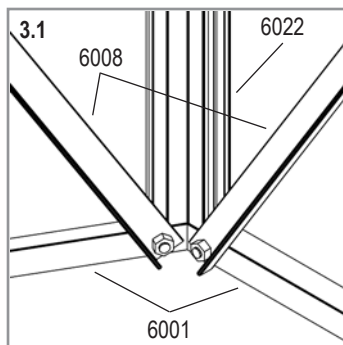
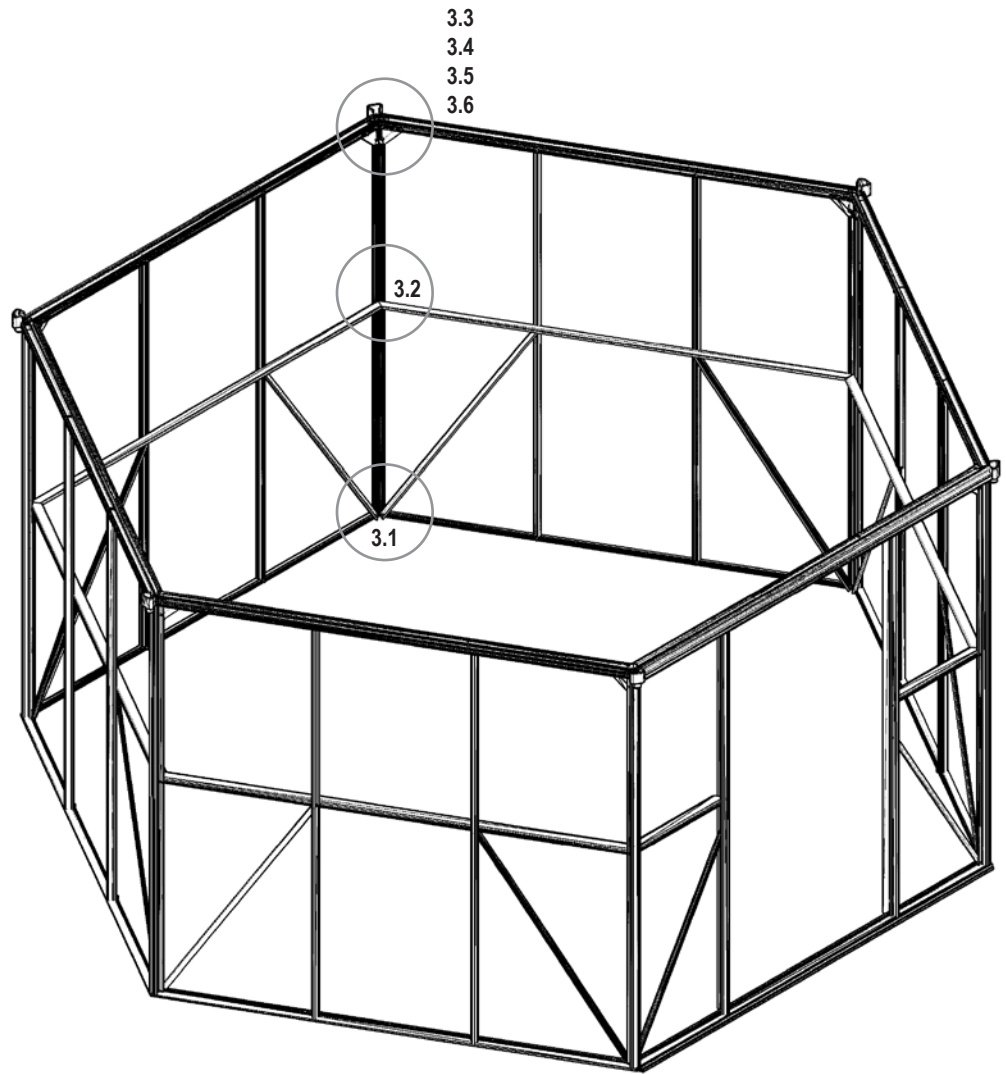


VM0010-H2L

3



1092 6x	
3001 24x	
3002 24x	
6067 6x	

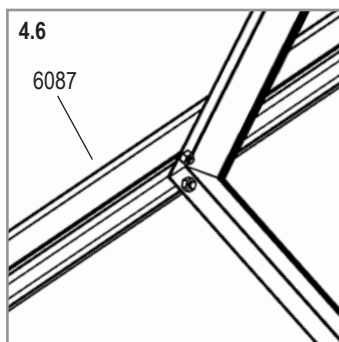
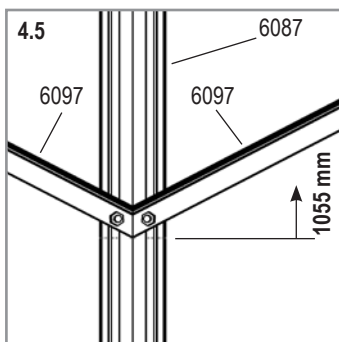
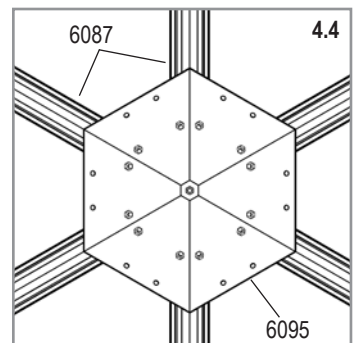
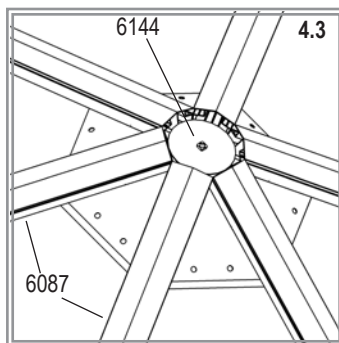
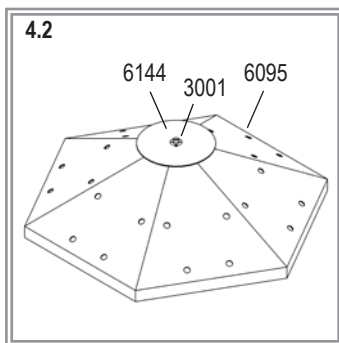
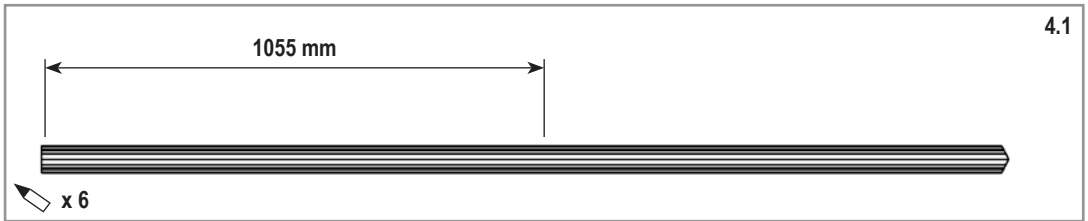
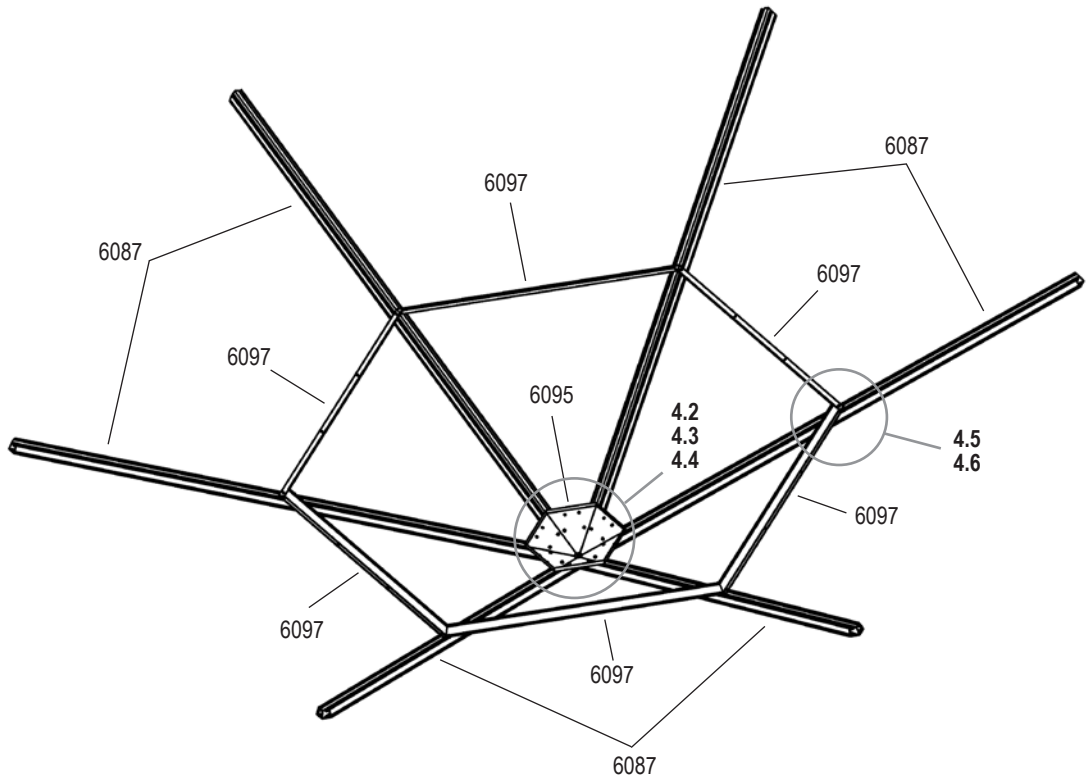


VM0010-H2L

4A



3001 25x	
3002 25x	
6087 6x	
6095 1x	
6097 6x	
6144 1x	

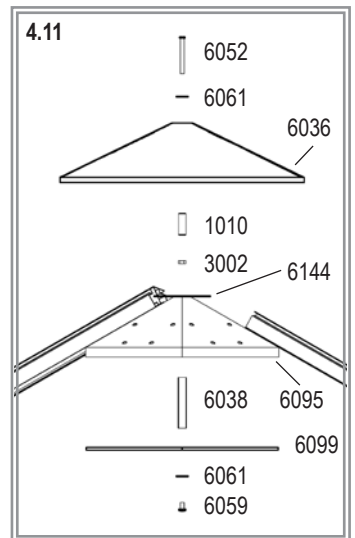
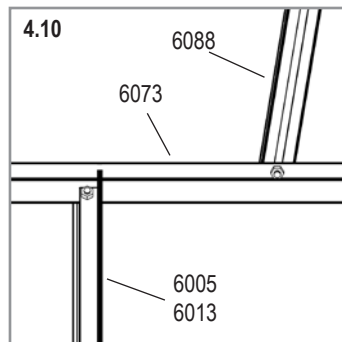
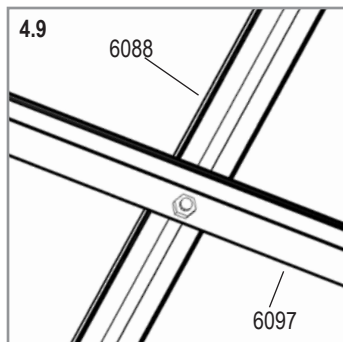
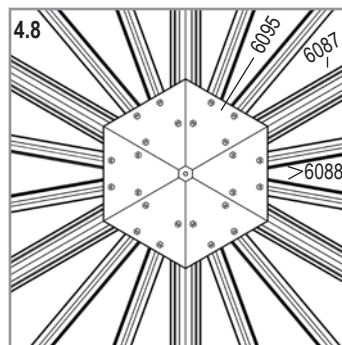
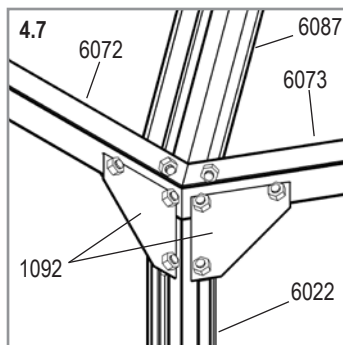
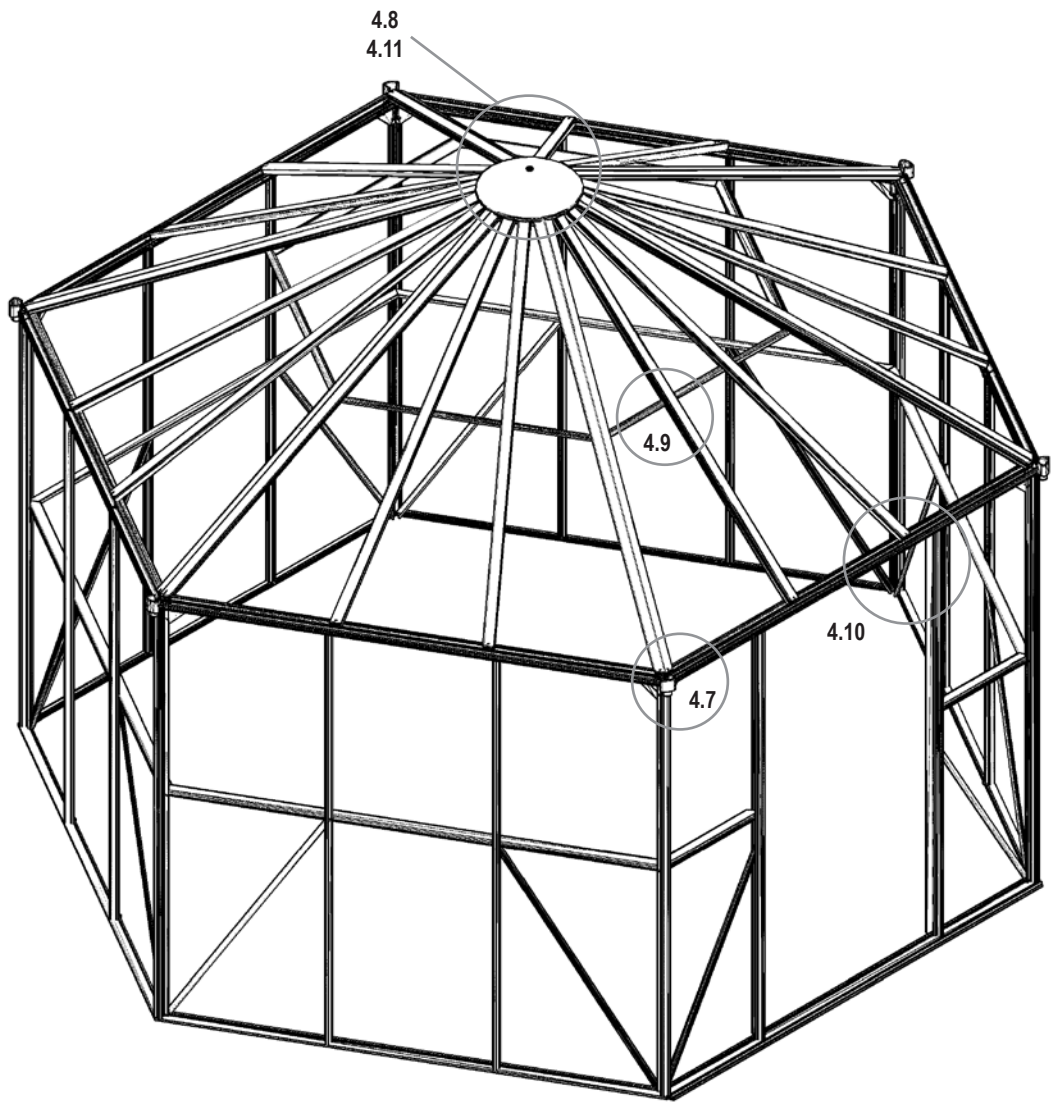


VM0010-H2L

4B

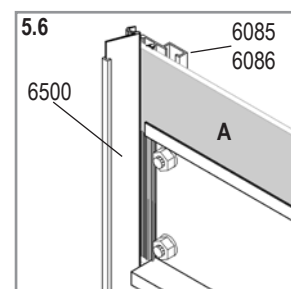
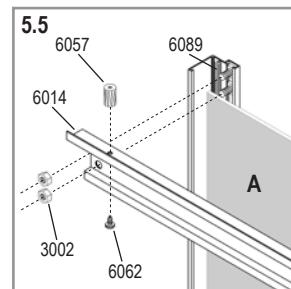
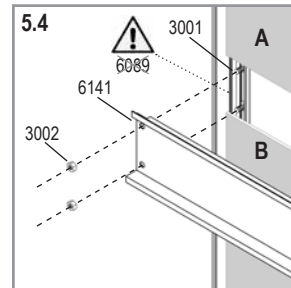
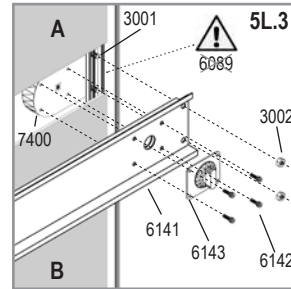
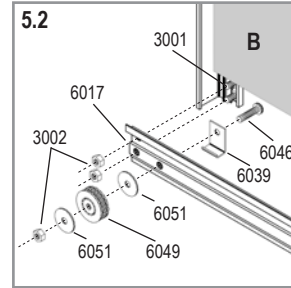
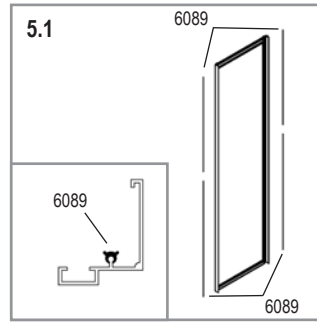
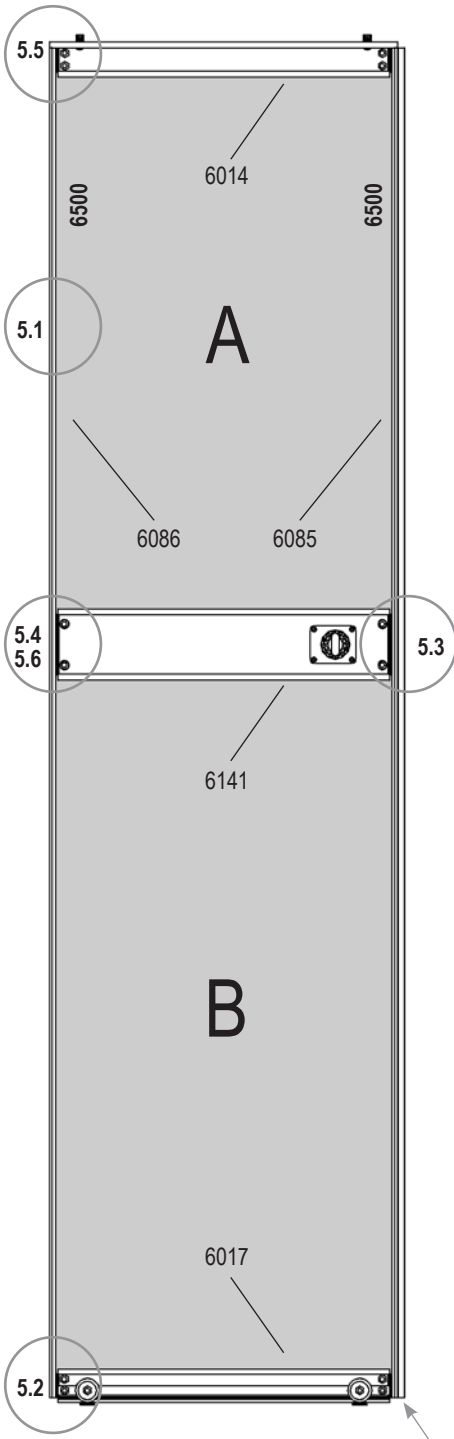


1010 1x	
3001 48x	
3002 49x	
6036 1x	
6038 1x	
6052 1x	
6059 1x	
6061 2x	
6088 12x	
6099 1x	

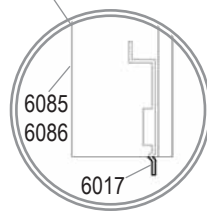


VM0010-H2L

5L



5.7	No.	ca. 3 mm	9000
A	3679721	714 x 454	1x
B	367.9661	919 x 454	1x
Total			2x



*

6500	2x
------	----

VM0010-H2L

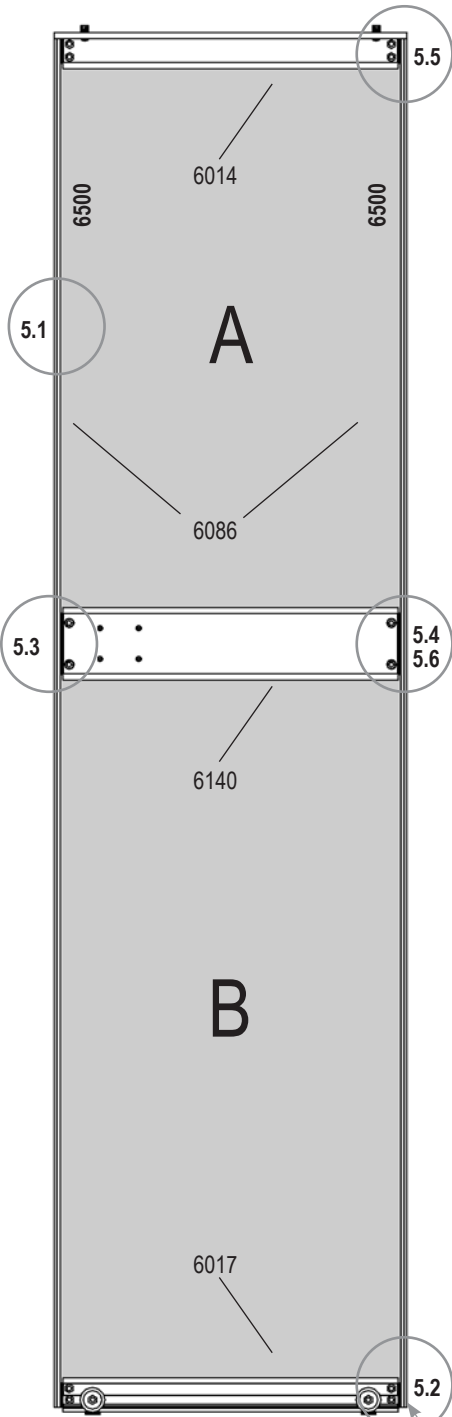
5R



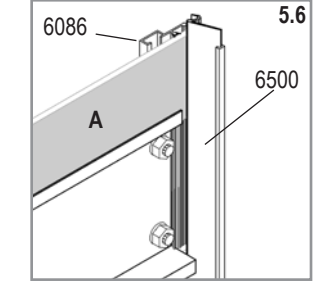
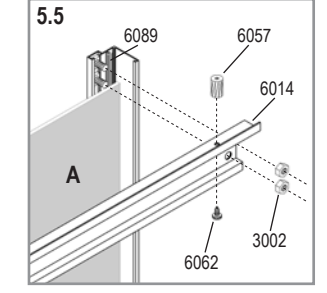
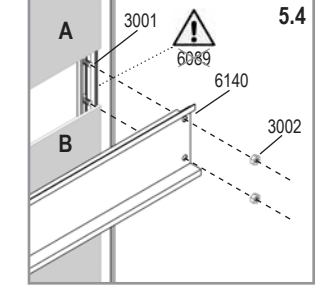
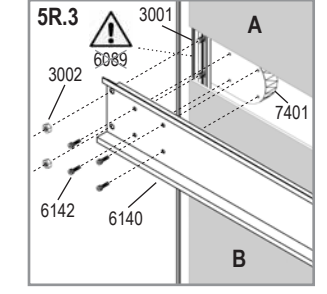
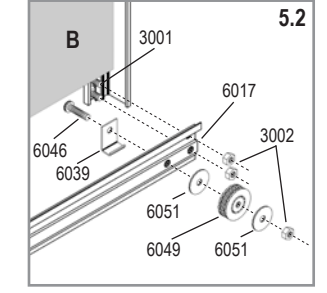
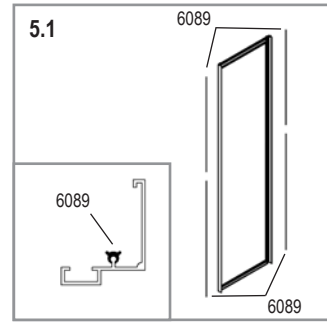
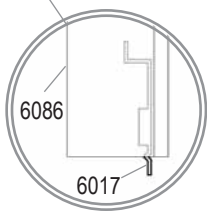
- 3001 12x
- 3002 14x
- 6014 1x
- 6017 1x
- 6039 2x
- 6046 2x
- 6049 2x
- 6051 4x
- 6057 2x
- 6062 2x
- 6086 2x
- 6089 4x
- 6140 1x
- 6142 4x
- 7401 1x

*	
6500 2x	

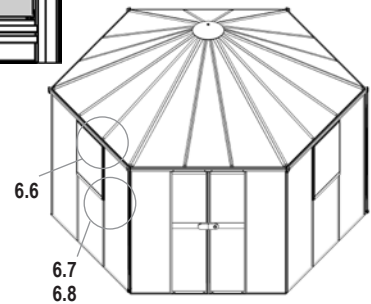
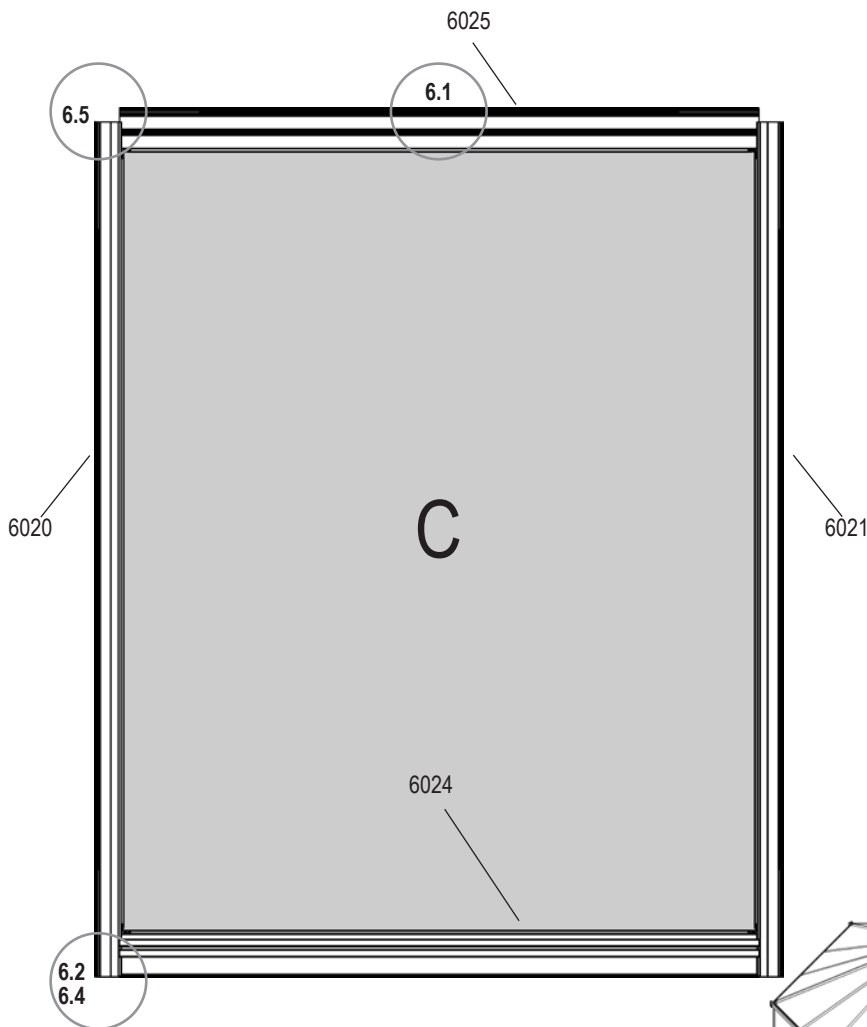
VM0010-H2L



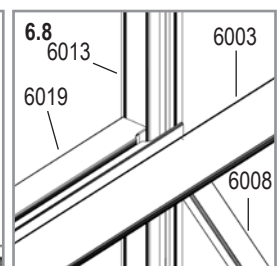
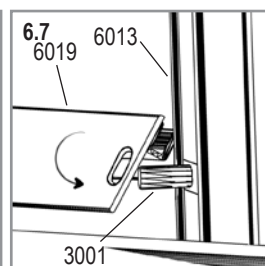
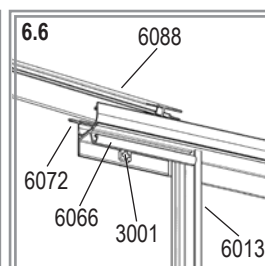
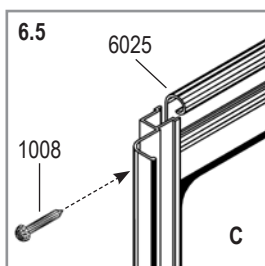
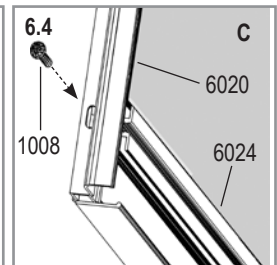
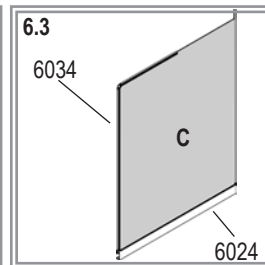
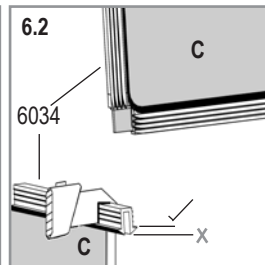
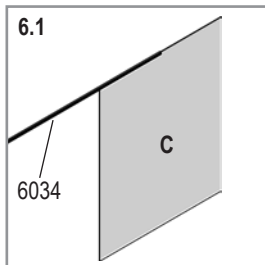
5.7	No.	ca. 3 mm	9000
A	3679721	714 x 454	1x
B	367.9661	919 x 454	1x
Total			2x



6

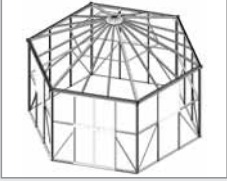






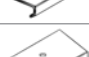


6.9	No.	ca. 3 mm	9000
C	367.9591	750 x 610	1x 3
Total			3x





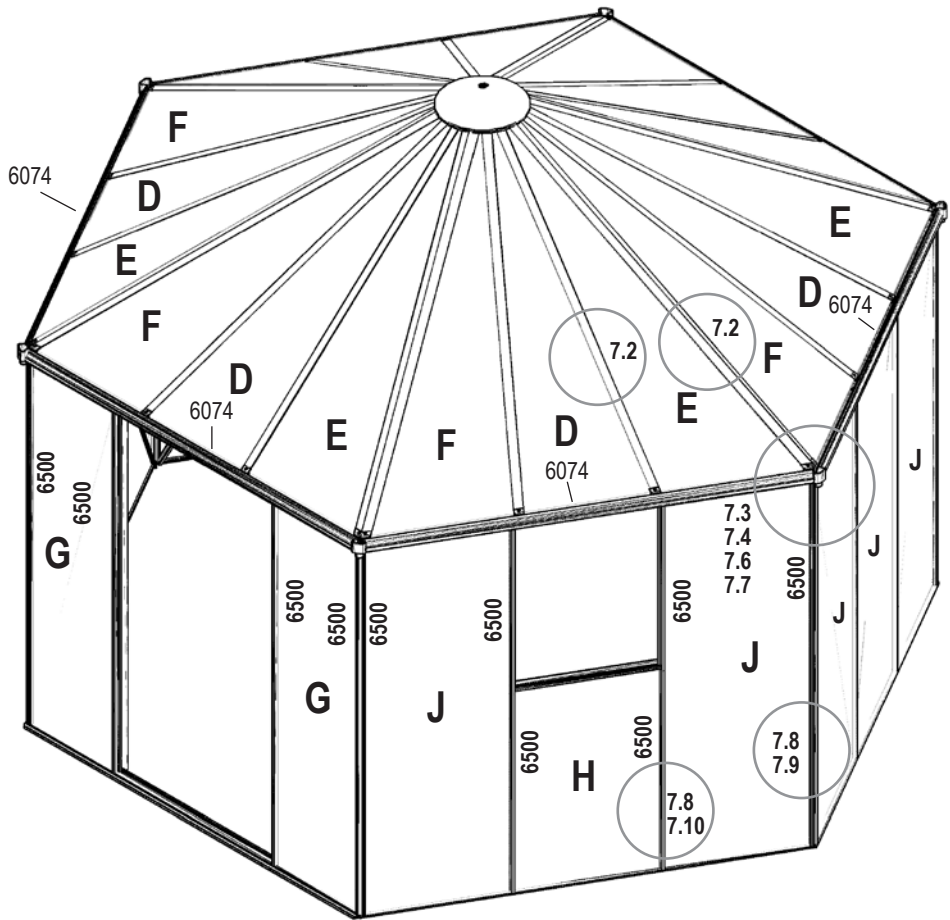
VM0010-H2L

7

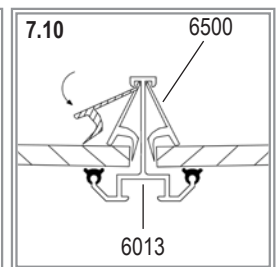
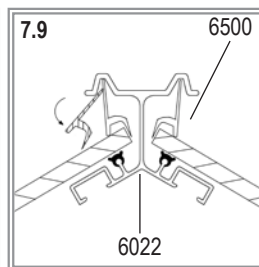
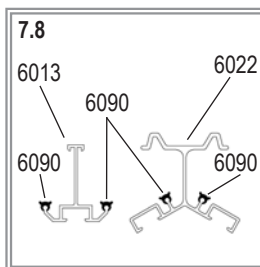
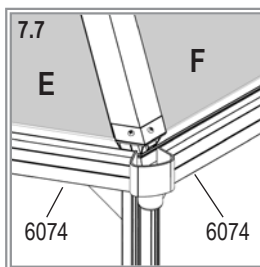
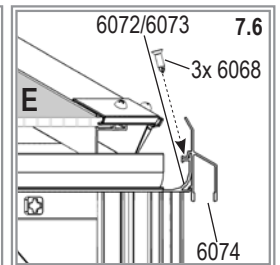
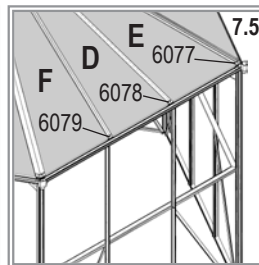
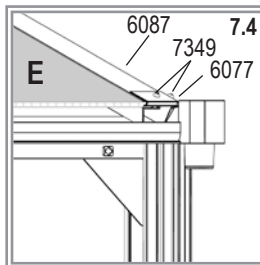
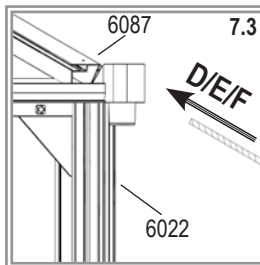
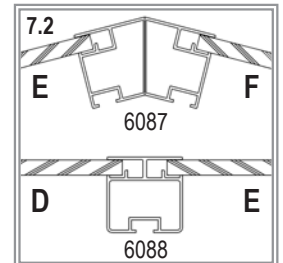


- 6068 18x 
- 6074 6x 
- 6077 6x 
- 6078 6x 
- 6079 6x 
- 6090 1x 
- 7349 24x 

- * 
- 6500 34x 

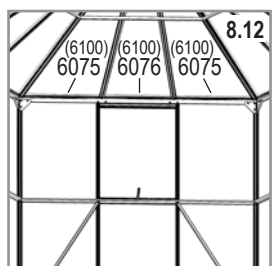
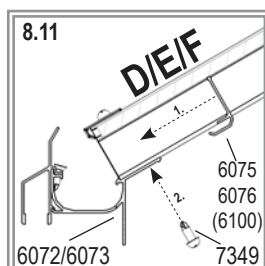
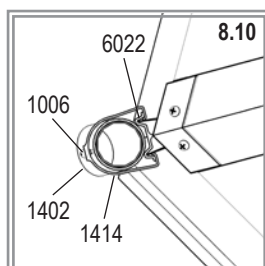
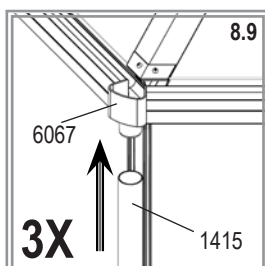
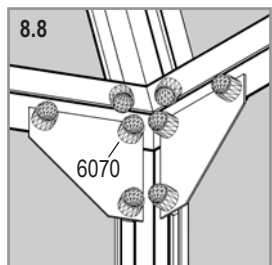
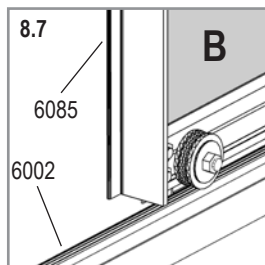
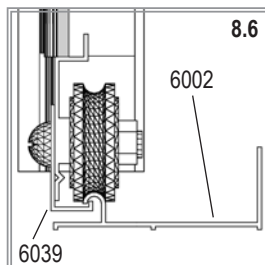
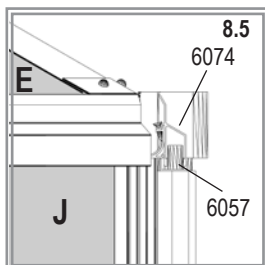
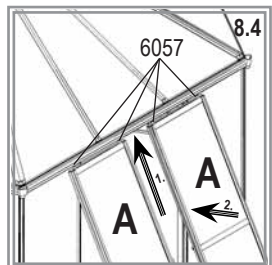
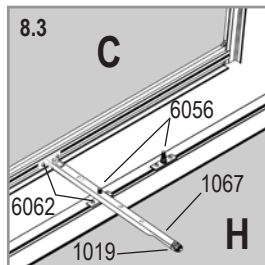
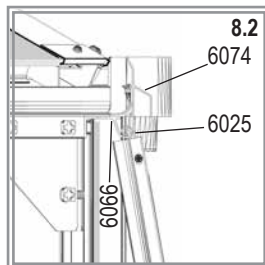
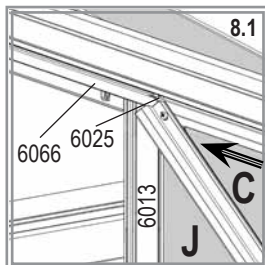
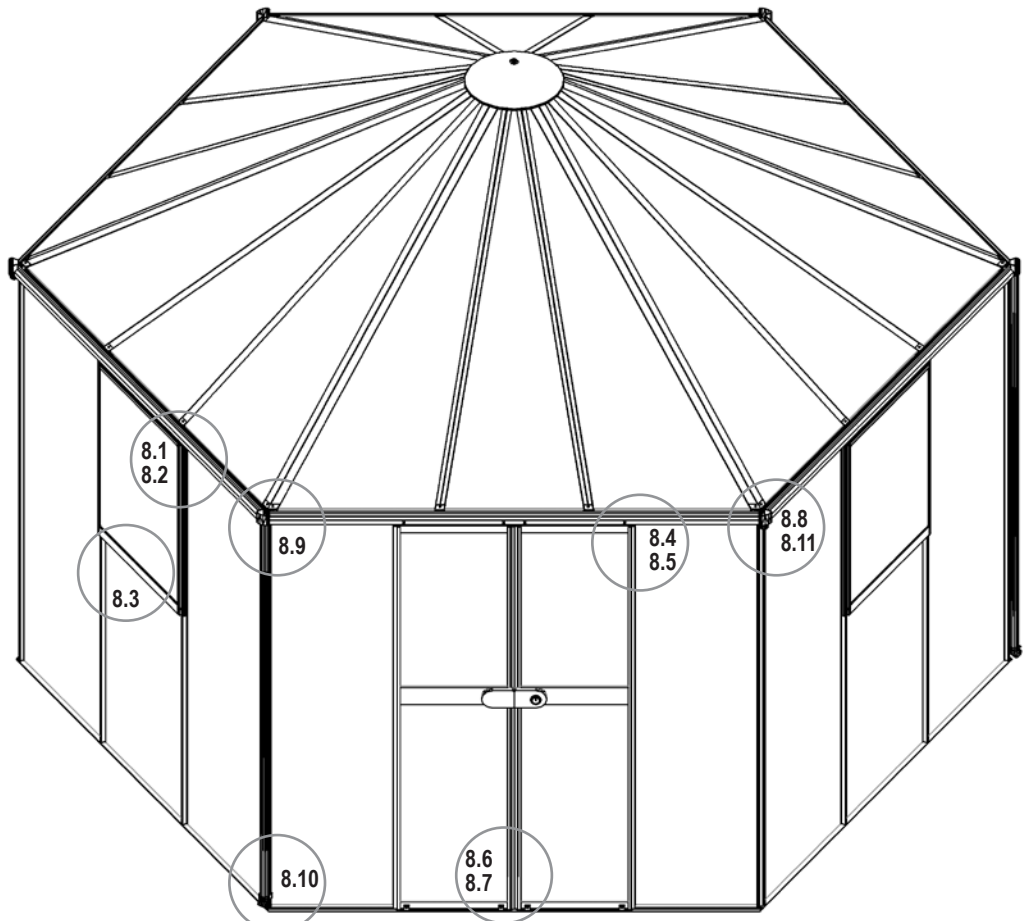


7.1	No.	ca. 3 mm	ca. 6 mm	9000
D	369.525	-	1727 x 546/19	6x
E	369.526	-	1847 x 608/12	6x
F	369.527	-	1847 x 608/12	6x
G	367.9701	1793 x 470	-	2x
H	367.9681	982 x 610	-	3x
J	367.9711	1793 x 610	-	12x
Total				35x



VM0010-H2L

8



VM0010-H2L

3X



Gartenshop-Hartmann

Das online Fachgeschäft

FINKENWEG 14
85391 ALLERSHAUSEN

Service: +49 (0) 8166 991612

Email: service@gartenshop-hartmann.de

Web: www.gartenshop-hartmann.de

E.P.H. Schmidt u. Co. GmbH
Hoefkerstrasse 30
44149 Dortmund
Postfach 170163
44060 Dortmund
Deutschland
Tel.: +49 231 941655 0
Fax: +49 231 941655 99
www.eph-schmidt.de
verkauf@eph-schmidt.de